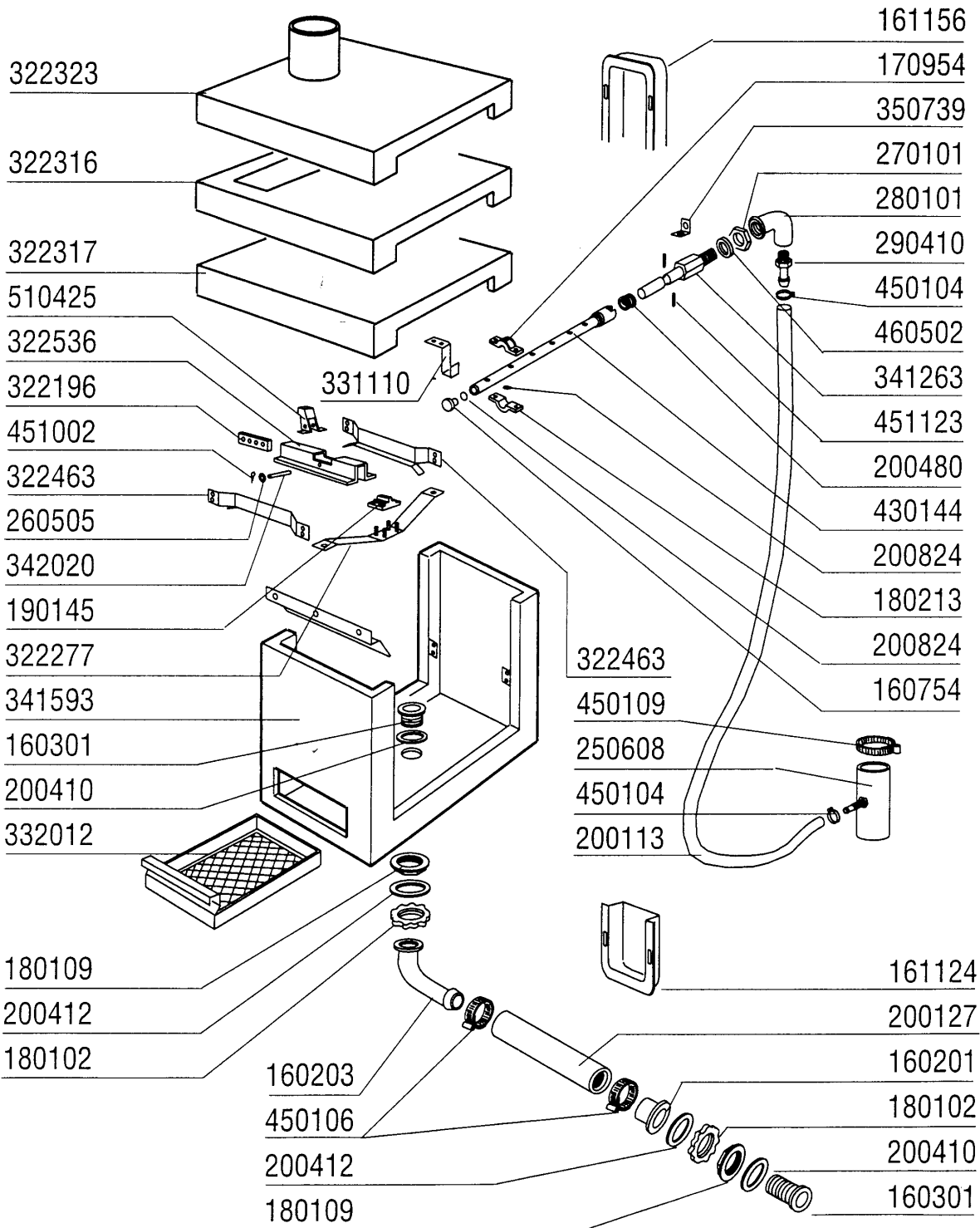


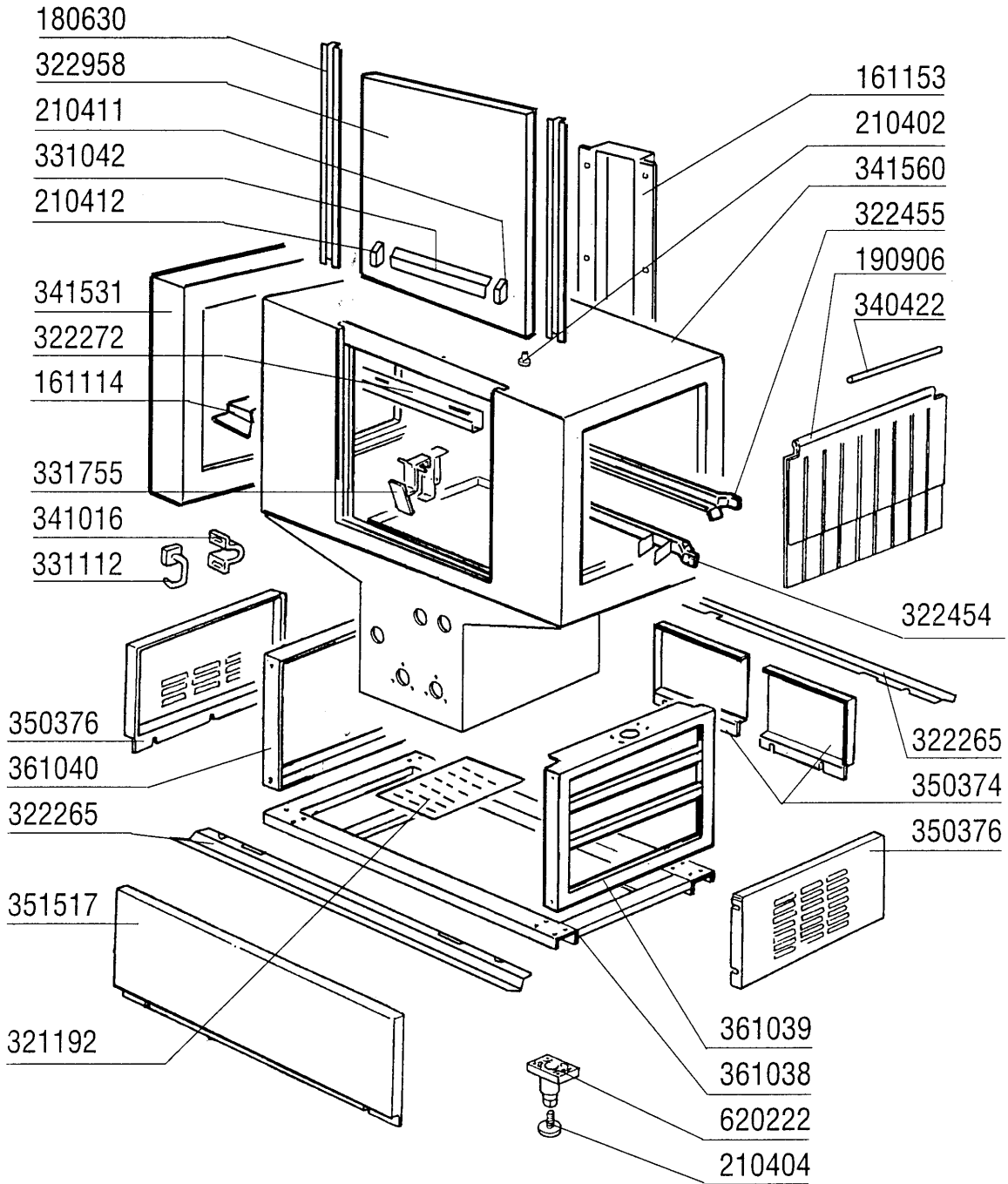
2 - Light Prewash



## 2 - Light Prewash

| CODE   | DESCRIPTION                    |
|--------|--------------------------------|
| 160201 | ELBOW F.TANK INLET MOPLEN      |
| 160203 | ELBOW 1"1/2 N-S-F-C /DRAIN     |
| 160301 | DRAIN OUTLET 1"1/2 C-S-N       |
| 160754 | PLUG FOR RINSE ARMS SE NE      |
| 161124 | DRYING OUTLET HOSE PROTECTION  |
| 161156 | BACK COVER CHANNEL DETREMPE AC |
| 170954 | JET FOR ECORINSE ARM           |
| 180102 | DRAIN PIPE NUT 1"1/2 F45-55    |
| 180109 | LOCK NUT 1 1/2"                |
| 180213 | FLANGE F.JET LOCKING F2-C34    |
| 190145 | SUPPORT F.PAWL BAR GUIDE AC    |
| 200113 | RUBBER HOSE 12 X 22            |
| 200127 | PVC HOSE D.35                  |
| 200410 | DRAIN OUTL.WASH.1 1/2"65X47X2  |
| 200412 | GASKET DRAIN 11/2" 45X33X3     |
| 200480 | GASKET F. RINSE CONNECT.       |
| 200824 | O-RING 1,78X12,42X15,98        |
| 250608 | TEE PRE-WASH 400MM             |
| 260505 | STAINL.STEEL FLAT WASHER D8    |
| 270101 | HEXAGON LOCK NUT 1/2"          |
| 280101 | CRANK F.F 1/2"                 |
| 290410 | NIPPLE 1/2"                    |
| 322196 | BRACKET                        |
| 322277 | SUPPORT FOR GUIDE AC           |
| 322316 | TOP PANEL                      |
| 322317 | TOP PANEL                      |
| 322323 | TOP PANEL                      |
| 322463 | RACK GUIDE FOR PREWASH AC105   |
| 322536 | PAWL BAR GUIDE AC              |
| 331110 | SUPPORT.HOOK F.UPPER RINSE ARM |
| 332012 | DETREMPE FILTER DRAWER AC      |
| 341263 | PIN                            |
| 341593 | PREWASH HOOD 400MM AC          |
| 342020 | PIN                            |
| 350739 | BRACKET                        |
| 430144 | ECORINSE ARM SE                |
| 450104 | CLAMP FE ZN H=12,5 15-24       |
| 450106 | CLAMP FE ZN 32-44 H=12,2       |
| 450109 | CLAMP 50-65                    |
| 451002 | COTTER PIN STAINL.ST. D2X12    |
| 451123 | ELASTIC PIN 4X16               |
| 460502 | GASKET 30X21X2                 |
| 510425 | PAWL LOAD. AC/ACR              |

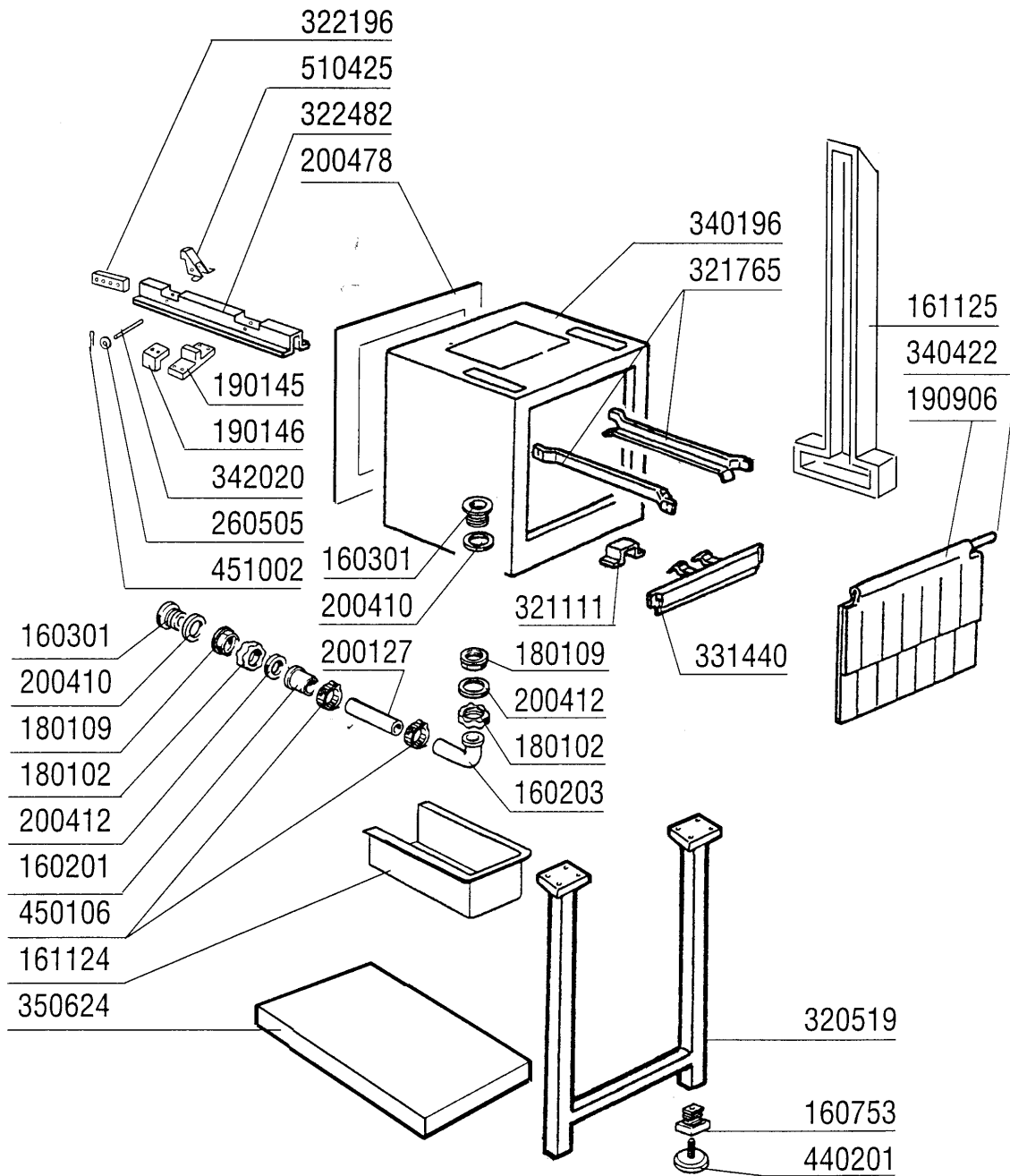
3 - Wash Hood 1300mm



**3 - Wash Hood 1300mm**

| <b>CODE</b> | <b>DESCRIPTION</b>             |
|-------------|--------------------------------|
| 161114      | END COVER OF PAWL BAR S3-S2900 |
| 161153      | BACK COVER CHANNEL 300X1240 (S |
| 180630      | DOUBLE SKINNED DOOR RUNNER -AC |
| 190906      | CURTAIN IN/OUT 620X480         |
| 210402      | PAD FOR DOOR 15-149            |
| 210404      | BLACK RUBBER FOOT S90 NE SE    |
| 210411      | RIGHT PLUG FOR ACR/AC HANDLE   |
| 210412      | LEFT PLUG FOR ACR/AC HANDLE    |
| 321192      | COVER FOR WIRING AC95/91       |
| 322265      | SUPPORT                        |
| 322272      | SUPPORT GUARD AC95-105         |
| 322454      | RACK GUIDE FOR AC95            |
| 322455      | RACK GUIDE FOR AC95/105/135    |
| 322958      | WASH/RINSE DOOR AC95           |
| 331042      | DOOR HANDLE AC95/135           |
| 331112      | HOOK (331116)                  |
| 331755      | HOOK FOR DOOR SUPPORT          |
| 340422      | SHAFT FOR CURTAIN AC-ACR       |
| 341016      | BRAKET FOR DOOR SECURITY HOOK  |
| 341531      | HOOD                           |
| 341560      | HOOD AC95-105-135              |
| 350374      | BACK PANEL AC                  |
| 350376      | LATERAL PANEL AC               |
| 351517      | FRONT PANEL AC95               |
| 361038      | CHASSIS FOR AC                 |
| 361039      | TANK CHASSIS AC                |
| 361040      | TANK HOOD AC                   |
| 620222      | COMPLETE ALUMINIUM LEGS        |

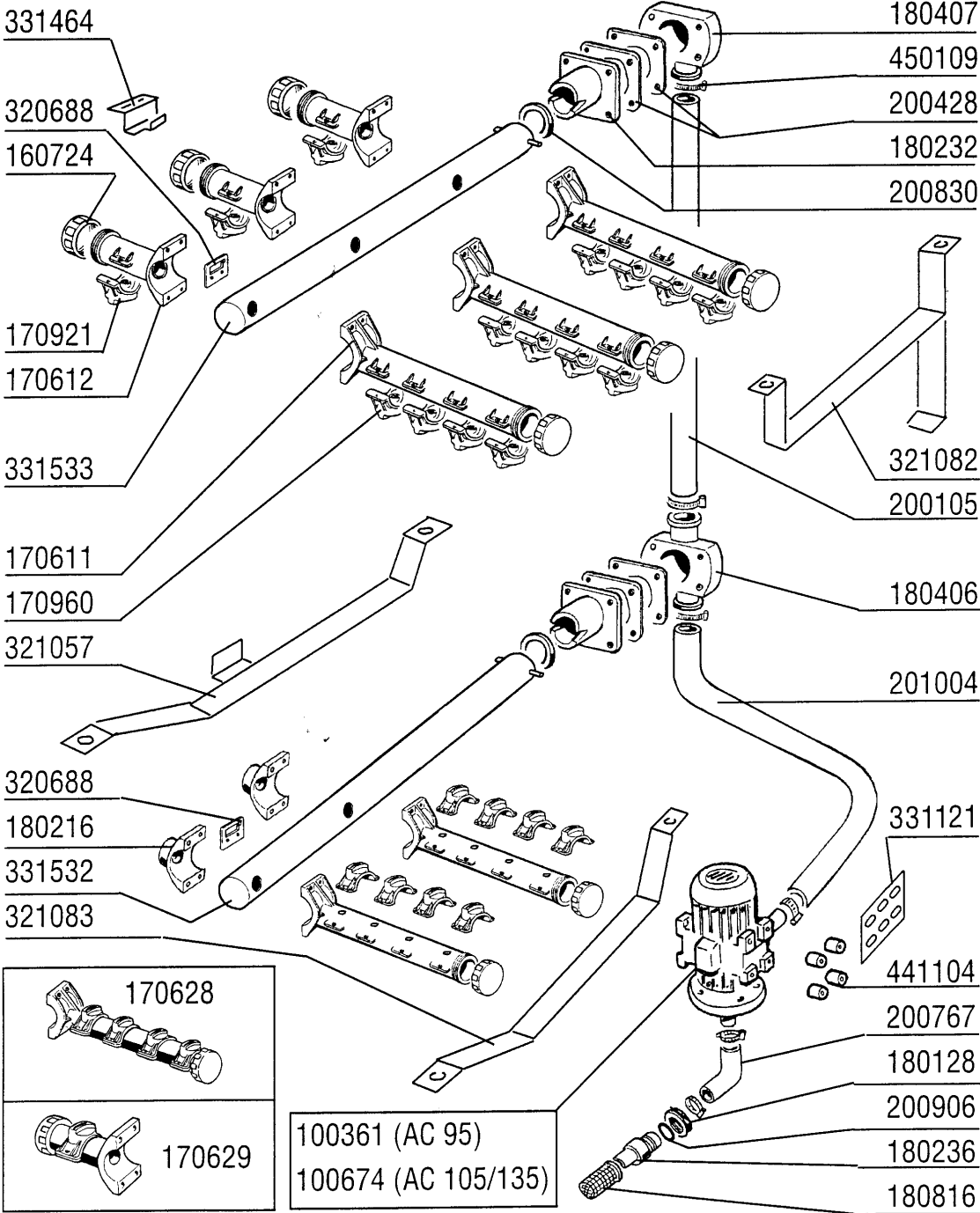
4 - Blower Dryer hood



#### 4 - Blower Dryer hood

| CODE   | DESCRIPTION                   |
|--------|-------------------------------|
| 160201 | ELBOW F.TANK INLET MOPLEN     |
| 160203 | ELBOW 1"1/2 N-S-F-C /DRAIN    |
| 160301 | DRAIN OUTLET 1"1/2 C-S-N      |
| 160753 | PLUG 40X40X1                  |
| 161124 | DRYING OUTLET HOSE PROTECTION |
| 161125 | BACK COVER CHANNEL S NL       |
| 180102 | DRAIN PIPE NUT 1"1/2 F45-55   |
| 180109 | LOCK NUT 1 1/2"               |
| 190145 | SUPPORT F.PAWL BAR GUIDE AC   |
| 190146 | CLAMPING PIECES AC            |
| 190906 | CURTAIN IN/OUT 620X480        |
| 200127 | PVC HOSE D.35                 |
| 200410 | DRAIN OUTL.WASH.1 1/2"65X47X2 |
| 200412 | GASKET DRAIN 11/2" 45X33X3    |
| 200478 | SELF-ADHESIVE GASKET 65X4     |
| 260505 | STAINL.STEEL FLAT WASHER D8   |
| 320519 | DRYER LEG SUPPORT             |
| 321111 | COVER                         |
| 321765 | GUIDE                         |
| 322196 | BRACKET                       |
| 322482 | PAWL BAR GUIDE DRYER AC95/135 |
| 331440 | PANEL                         |
| 340196 | DRYING HOOD                   |
| 340422 | SHAFT FOR CURTAIN AC-ACR      |
| 342020 | PIN                           |
| 350624 | UNDER-TABLE                   |
| 440201 | RUBBER FOOT D.60X10           |
| 450106 | CLAMP FE ZN 32-44 H=12,2      |
| 451002 | COTTER PIN STAINL.ST. D2X12   |
| 510425 | PAWL LOAD. AC/ACR             |

5 - Wash Assembly 1300mm

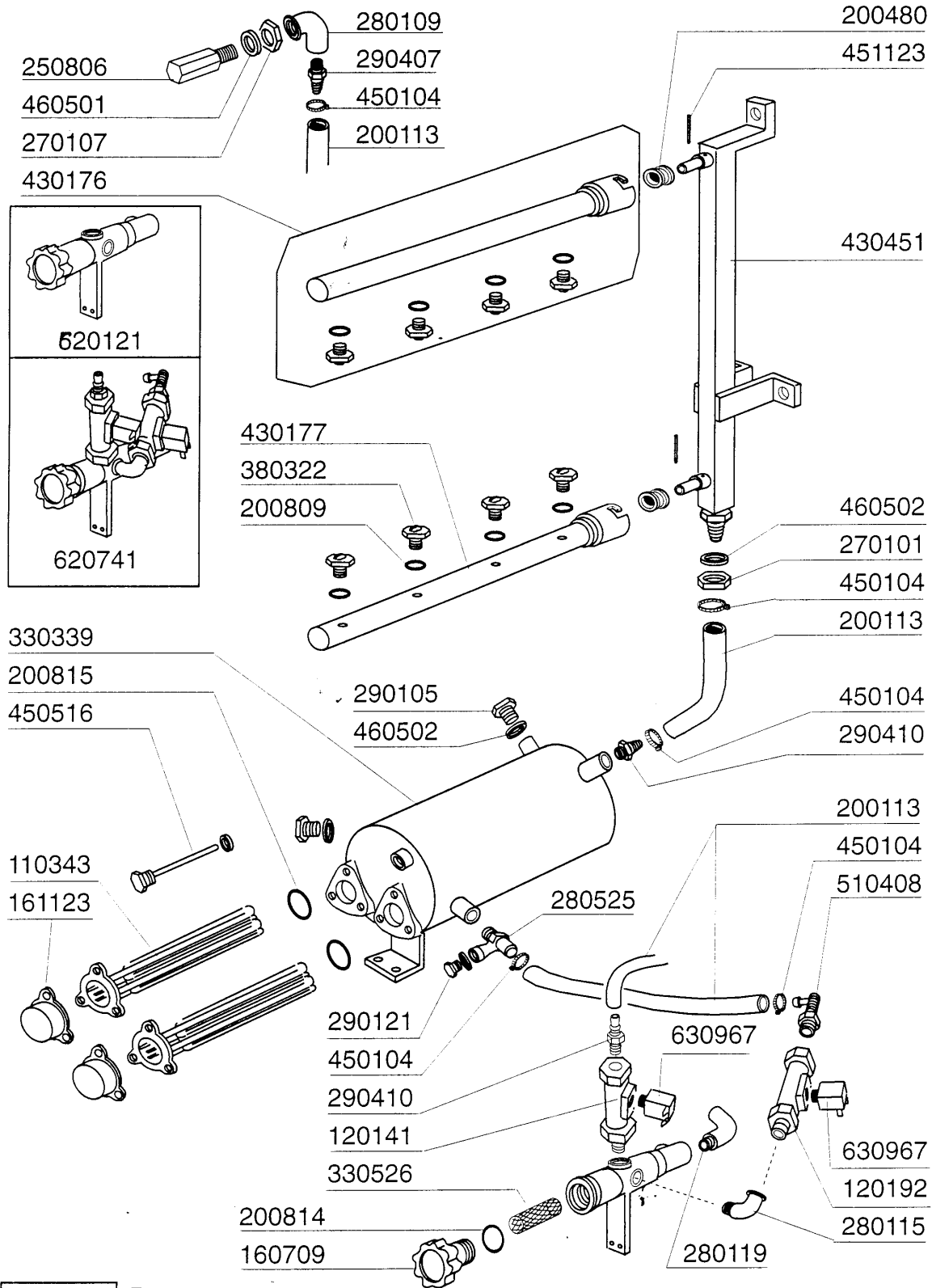


## 5 - Wash Assembly 1300mm

| CODE   | DESCRIPTION                    |
|--------|--------------------------------|
| 100361 | PUMP HP 2-220/380-50HZ-120404  |
| 100674 | PUMP HP 3 V.220-415-50HZ-1205  |
| 160724 | PLUG F. WASH ARM S90           |
| 170611 | LONG WASH ARM S90 -S N L       |
| 170612 | SHORT WASH ARM S90-S2900       |
| 170628 | WASH ARM ASSEMBLY S1600        |
| 170629 | SHORT WASH ARM ASSEMBLY        |
| 170921 | AXIAL WASH NOZZLE D 35         |
| 170960 | WASH JET 4,5                   |
| 180128 | RING NUT 65,4 C140 C85         |
| 180216 | WASH ARM COUNTERFLANGE S90-S N |
| 180232 | WASH ARM FLANGE SNL            |
| 180236 | PUMP SUCTION FOR AC-ACR-C155   |
| 180406 | T-CONNECTOR F. WASHING S90-SNL |
| 180407 | ELBOW S90 S N L                |
| 180816 | STRAINER OF INLET PUMP AC-ACR  |
| 200105 | RUBBER HOSE 50X60              |
| 200428 | GASKET 100X100X3 NEOTEN        |
| 200767 | OUTLET HOSE WASH ACR           |
| 200830 | O-RING 37,3X44,5X3,6           |
| 200906 | GASKET D.92X66X2               |
| 201004 | OUTLET HOSE AC95-AC135         |
| 320688 | SUPPORT FOR S/AC WASHARM       |
| 321057 | LOWER WASH ARM SUPPORT         |
| 321082 | SUPPORT                        |
| 321083 | SUPPORT FOR "S" LOWER WASHARM  |
| 331121 | FIXING PLATE FOR PUMP ACR      |
| 331464 | SUPPORT FOR UPPER WASH ARM     |
| 331532 | LOWER WASH ARM AC91/101        |
| 331533 | UPPER WASH ARM AC91/101        |
| 441104 | VIBRATION-DAMPING FEET FOR ACR |
| 450109 | CLAMP 50-65                    |



6 - Rinse Assembly AC105

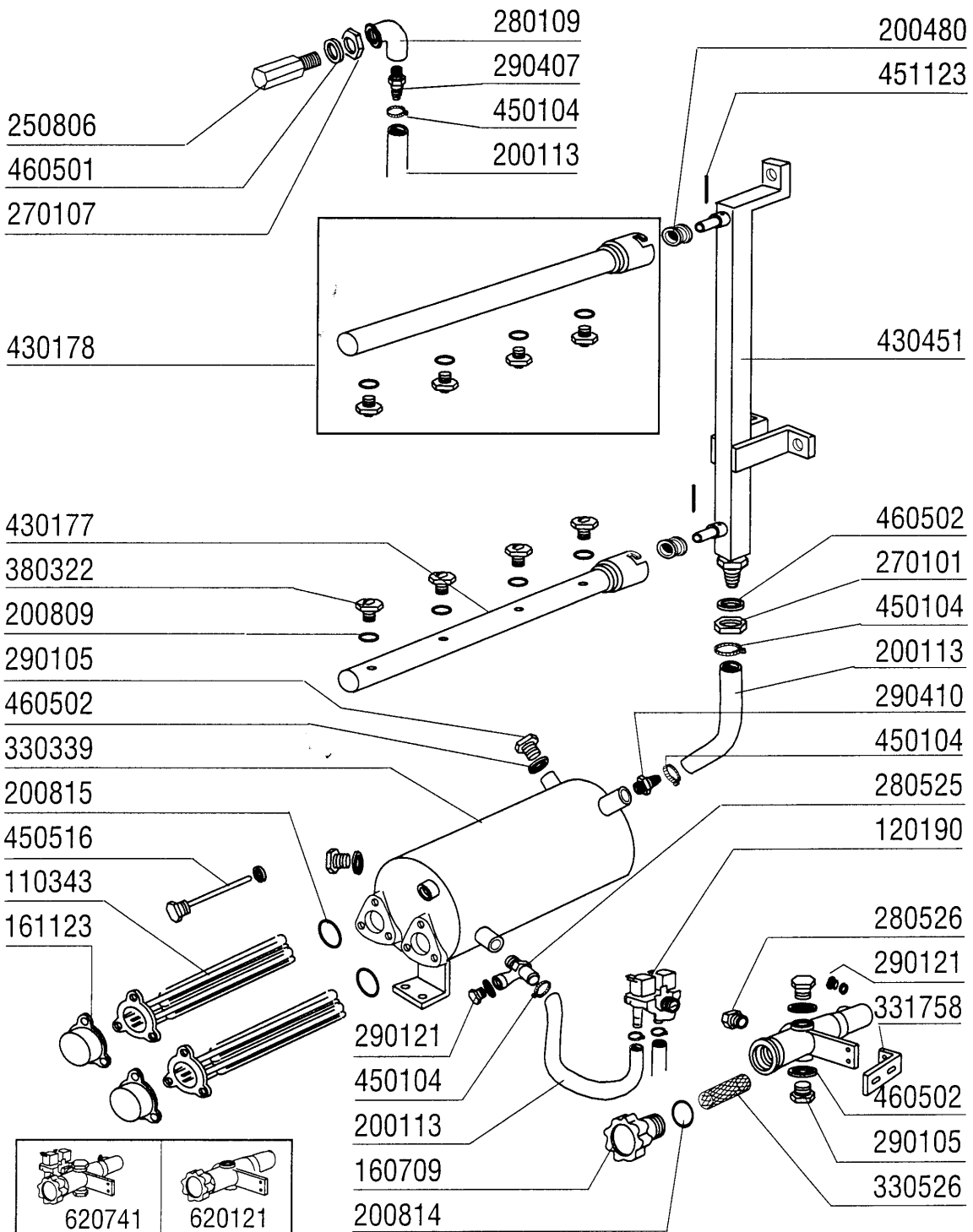


1 - 1 - 1998 F.

## 6 - Rinse Assembly AC105

| CODE   | DESCRIPTION                    |
|--------|--------------------------------|
| 110343 | HEAT.ELEM. 8000W 220/380V      |
| 120141 | SOLEN.VALVE METAL.328000 D.1/2 |
| 120192 | SOLENOID VALVE AC105           |
| 160709 | KNOB OF MANIFOLD F. SOLEN. VAL |
| 161123 | HEAT.ELEMENT COVER H42 SNL     |
| 200113 | RUBBER HOSE 12 X 22            |
| 200480 | GASKET F. RINSE CONNECT.       |
| 200809 | OR GASKET 1,78X8,73X12,29      |
| 200814 | O-RING 34,52X41,58X3,53        |
| 200815 | O-RING F. HEAT.ELEM.           |
| 250806 | TANK FILL HOSE CLAMP - AC/ACR  |
| 270101 | HEXAGON LOCK NUT 1/2"          |
| 270107 | BRASS LOCK NUT 3/8" FL803      |
| 280109 | CRANK 90Ø F.F 3/8"             |
| 280115 | ELL 1/2"                       |
| 280119 | ELL MF 3/4"                    |
| 280525 | NIPPLE                         |
| 290105 | BRASS-TE-PLUG 1/2"             |
| 290121 | BRASS PLUG 1/8"                |
| 290407 | NIPPLE 3/8"                    |
| 290410 | NIPPLE 1/2"                    |
| 330339 | BOILER D.220X640 F.TWO HEAT.EL |
| 330526 | FILTERS 22X28 SOLENOID V.MANIF |
| 380322 | RINSE JETS OV 1/8" 303 45LT 80 |
| 430176 | RINSE ARM                      |
| 430177 | RINSE ARM AC95-105             |
| 430451 | RINSE COLUMN AC135             |
| 450104 | CLAMP FE ZN H=12,5 15-24       |
| 450516 | THERMOSTAT SHIELD FOR 2 TERMOS |
| 451123 | ELASTIC PIN 4X16               |
| 460501 | GASKET 24X17X2                 |
| 460502 | GASKET 30X21X2                 |
| 510408 | CONNECTION 90Ø 1/2"            |
| 620121 | TWIN SOLENOID VALVE MANIFOLD   |
| 620741 | FILTER                         |
| 630967 | COIL V24/50HZ E/V 328002       |

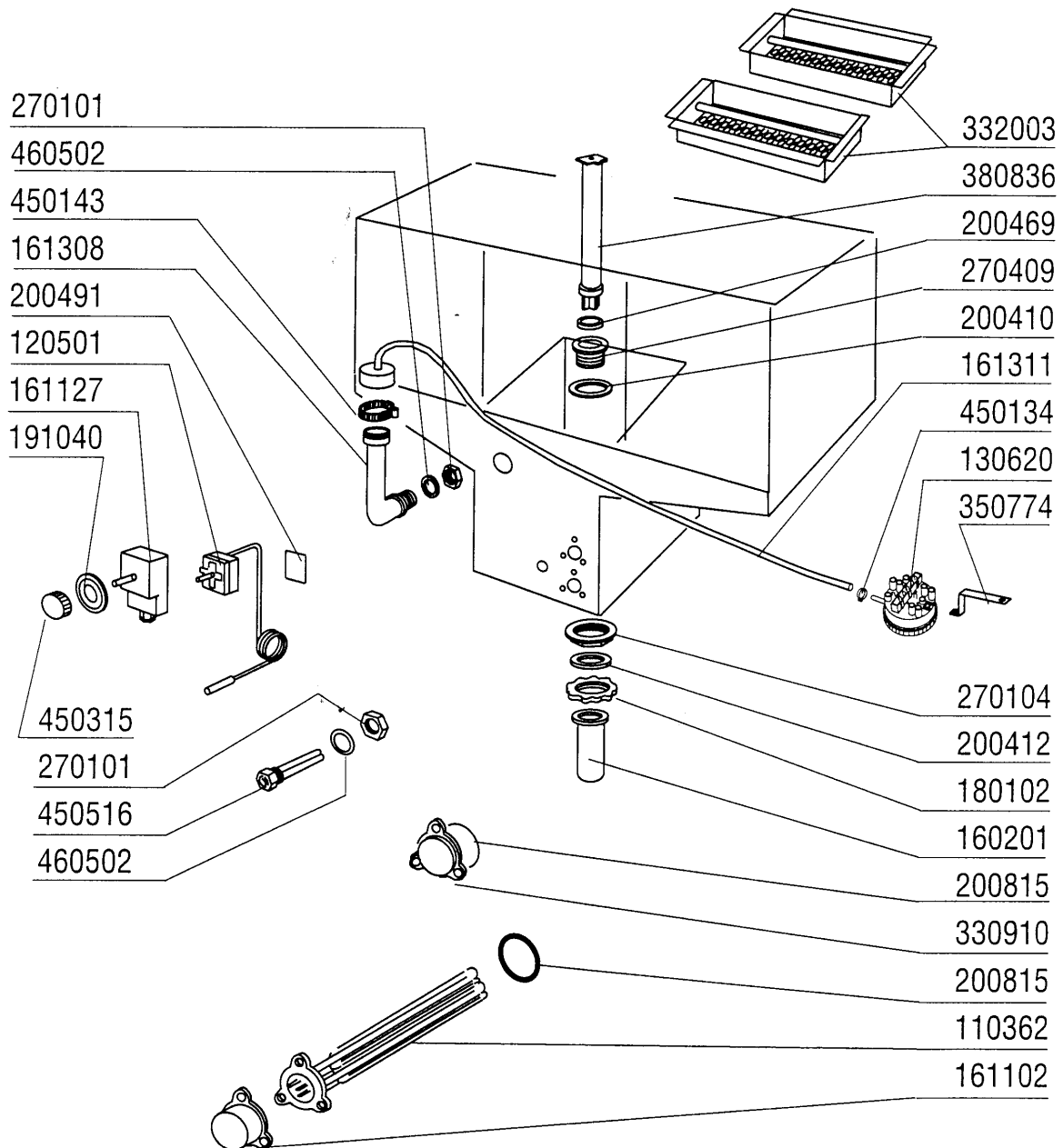
7 - Rinse Assembly AC105



## 7 - Rinse Assembly AC105

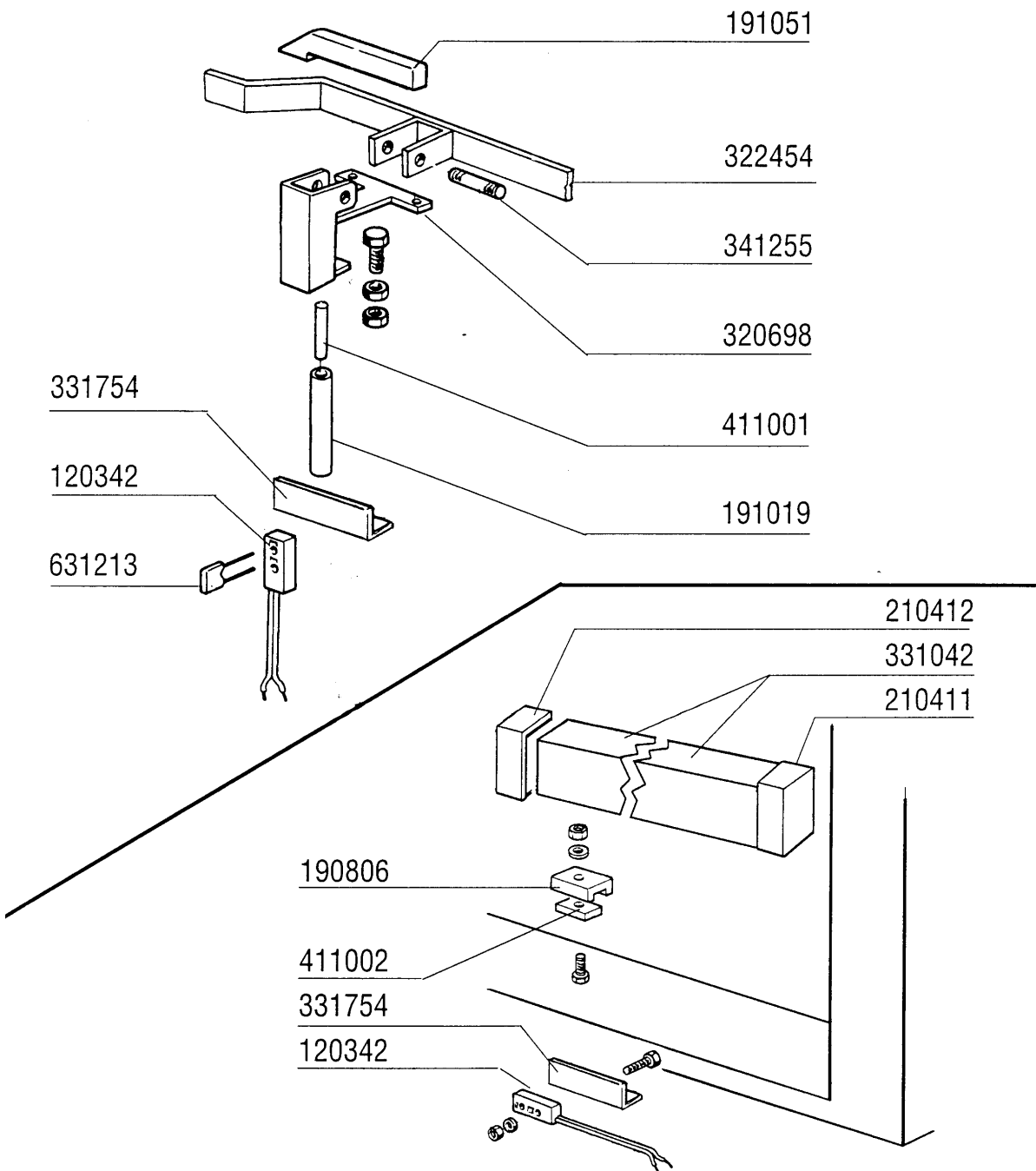
| CODE   | DESCRIPTION                    |
|--------|--------------------------------|
| 110343 | HEAT.ELEM. 8000W 220/380V      |
| 120190 | 2-WAY SOLEN.V.(120192+120141)  |
| 160709 | KNOB OF MANIFOLD F. SOLEN. VAL |
| 161123 | HEAT.ELEMENT COVER H42 SNL     |
| 200113 | RUBBER HOSE 12 X 22            |
| 200480 | GASKET F. RINSE CONNECT.       |
| 200809 | OR GASKET 1,78X8,73X12,29      |
| 200814 | O-RING 34,52X41,58X3,53        |
| 200815 | O-RING F. HEAT.ELEM.           |
| 250806 | TANK FILL HOSE CLAMP - AC/ACR  |
| 270101 | HEXAGON LOCK NUT 1/2"          |
| 270107 | BRASS LOCK NUT 3/8" FL803      |
| 280109 | CRANK 90Ø F.F 3/8"             |
| 280525 | NIPPLE                         |
| 280526 | CONNECTION 1/2-3/4"            |
| 290105 | BRASS-TE-PLUG 1/2"             |
| 290121 | BRASS PLUG 1/8"                |
| 290407 | NIPPLE 3/8"                    |
| 290410 | NIPPLE 1/2"                    |
| 330339 | BOILER D.220X640 F.TWO HEAT.EL |
| 330526 | FILTERS 22X28 SOLENOID V.MANIF |
| 331758 | BRACKET F.SOLEN.VALV SE        |
| 380322 | RINSE JETS OV 1/8" 303 45LT 80 |
| 430177 | RINSE ARM AC95-105             |
| 430178 | RINSE ARM AC                   |
| 430451 | RINSE COLUMN AC135             |
| 450104 | CLAMP FE ZN H=12,5 15-24       |
| 450516 | THERMOSTAT SHIELD FOR 2 TERMOS |
| 451123 | ELASTIC PIN 4X16               |
| 460501 | GASKET 24X17X2                 |
| 460502 | GASKET 30X21X2                 |
| 620121 | TWIN SOLENOID VALVE MANIFOLD   |
| 620741 | FILTER                         |

## 8 - Wash Tank Components



## 8 - Wash Tank Components

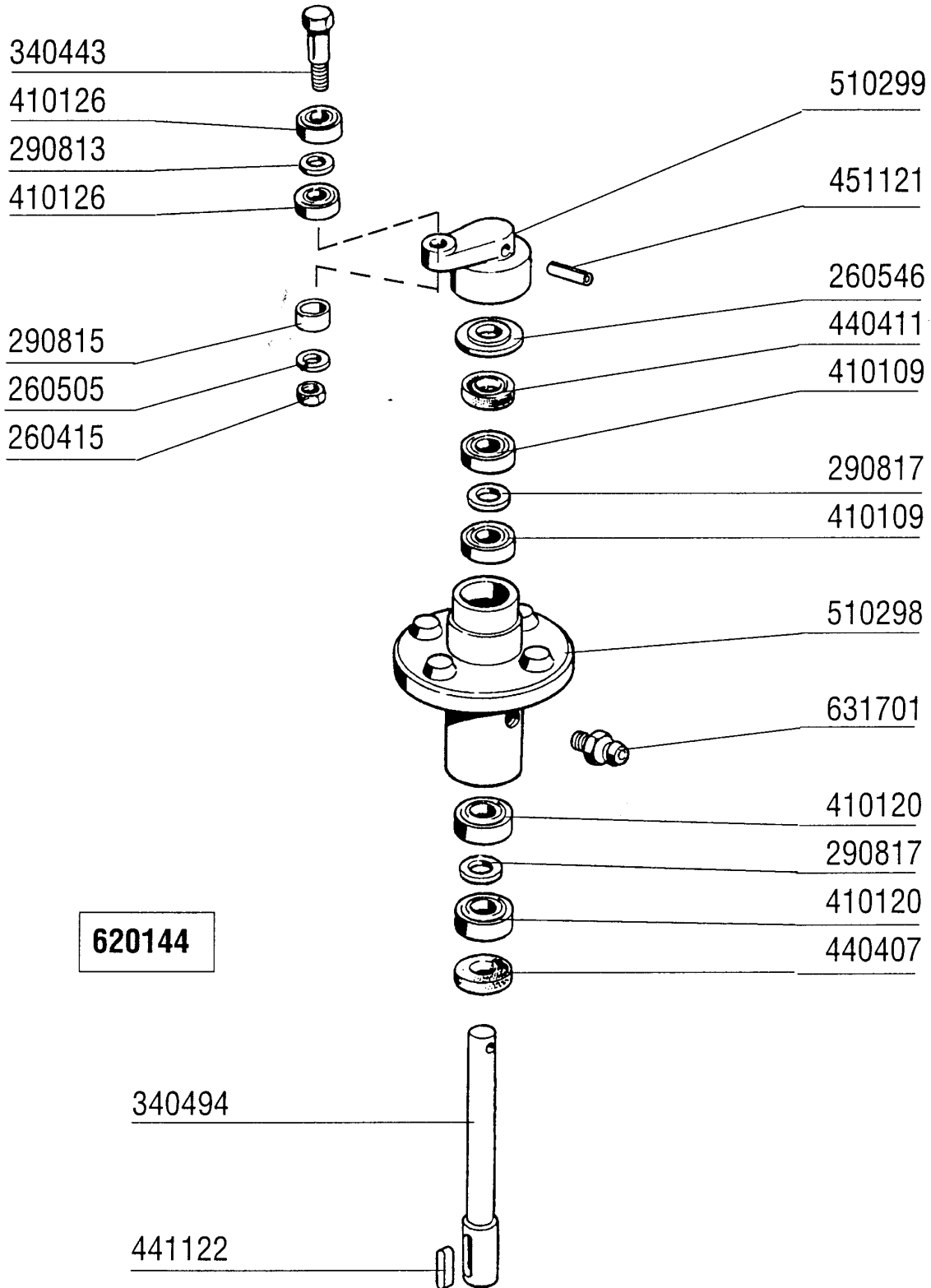
| CODE   | DESCRIPTION                    |
|--------|--------------------------------|
| 110362 | HEAT.ELEMENT 9000W 220/380V    |
| 120501 | THERMOSTAT 30/90°C             |
| 130620 | PRESSURE SWITCH 3 LEVEL 50-30/ |
| 160201 | ELBOW F.TANK INLET MOPLN       |
| 161102 | ELEMENT COVER MOPL.            |
| 161127 | BOX FOR THERMOSTAT             |
| 161308 | AIR CHAMBER C95-155            |
| 161311 | HOSE FOR AIR CHAMBER BC-BR-AC9 |
| 180102 | DRAIN PIPE NUT 1"1/2 F45-55    |
| 191040 | FRAME F.THERMOSTAT KNOB        |
| 200410 | DRAIN OUTL.WASH.1 1/2"65X47X2  |
| 200412 | GASKET DRAIN 1 1/2" 45X33X3    |
| 200469 | STAND PIPE O RING 45X35,5X7    |
| 200491 | BACK GASKET OF THERMOSTAT BOX  |
| 200815 | O-RING F. HEAT.ELEM.           |
| 270101 | HEXAGON LOCK NUT 1/2"          |
| 270104 | LOCK NUT 1" 1/2                |
| 270409 | DRAIN OUTLET AC-ACR            |
| 330910 | FLANGE                         |
| 332003 | WASH STRAINER AC95/91/181      |
| 350774 | BRACKET                        |
| 380836 | OVERFLOW PIPE MM.415           |
| 450134 | ELASTIC HOSE CLIP D.9,3/8,8    |
| 450143 | CLAMP D.39,7 X 37,7            |
| 450315 | KNOB F. THERMOSTAT 90°         |
| 450516 | THERMOSTAT SHIELD FOR 2 TERMOS |
| 460502 | GASKET 30X21X2                 |



**9 - Economiser**

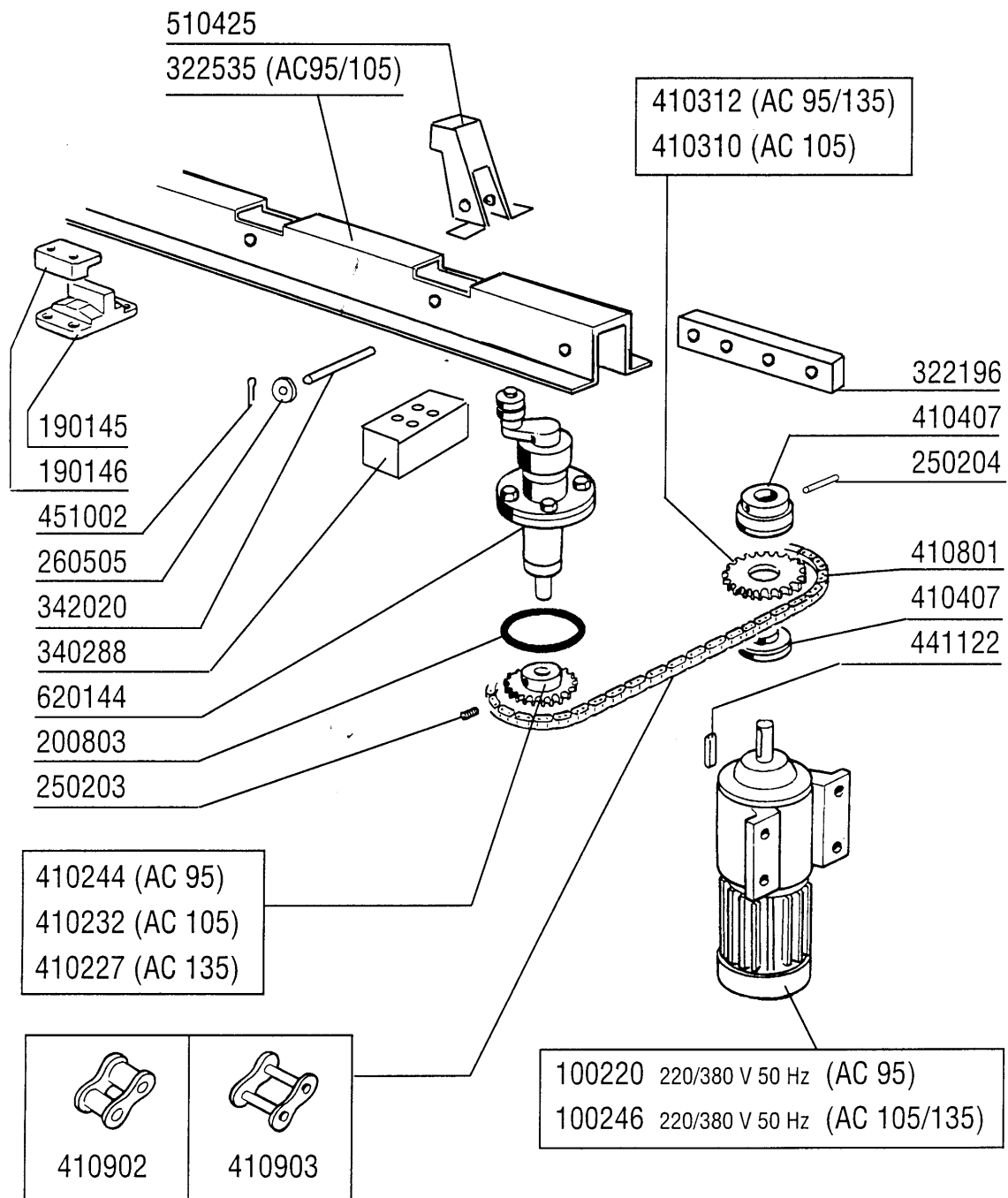
| <b>CODE</b> | <b>DESCRIPTION</b>             |
|-------------|--------------------------------|
| 120342      | DOR MAGNETIC SWITCH            |
| 190806      | MAGNET HOUSING                 |
| 191019      | MAGNET HOUSING S90 MOPL.-S.N.L |
| 191051      | SLIDING PAD SE SNL ECONOMIZER  |
| 210411      | RIGHT PLUG FOR ACR/AC HANDLE   |
| 210412      | LEFT PLUG FOR ACR/AC HANDLE    |
| 320698      | LEVER FOR ECONOMIZER SE SNL    |
| 322454      | RACK GUIDE FOR AC95            |
| 331042      | DOOR HANDLE AC95/135           |
| 331754      | DOOR MICRO SWITCH BRACKET FOR  |
| 341255      | PIN FOR ECONOMIZER SE SNL      |
| 411001      | PERMANENT MAGNET 8X40          |
| 411002      | PERMANENT MAGNET 24X12         |
| 631213      | CAPACITOR 0,1MF                |





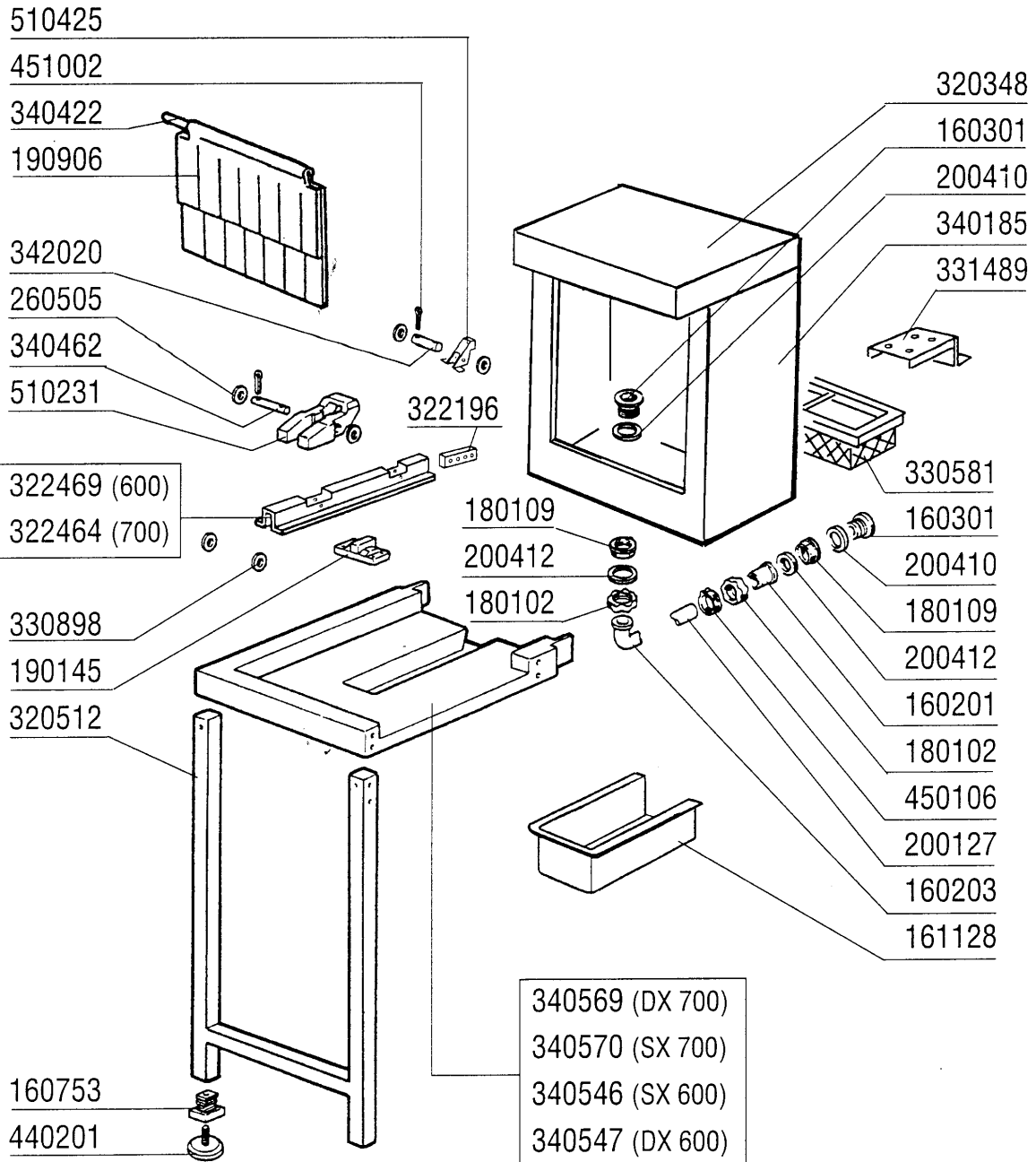
10 - Drive unit

| CODE   | DESCRIPTION                    |
|--------|--------------------------------|
| 260415 | STAINLESS STEEL SELF-LOCKING N |
| 260505 | STAINL.STEEL FLAT WASHER D8    |
| 260546 | SLIDING WASHER STAINLESS STEEL |
| 290813 | PACKING PIECES BRASS S-F2      |
| 290815 | DISTANCE PIECE S3Ø BRASS       |
| 290817 | BRASS DISTANCE PIECE 24X14     |
| 340443 | CRANK SHOULDER PIN             |
| 340494 | DRIVE SHAFT S 3Ø               |
| 410109 | BEARINGS 17X40X12 6203         |
| 410120 | BALL BEARING 17X35X10          |
| 410126 | BEARING 6201-2RS Z15           |
| 440407 | SEAL MIM 20X35X7               |
| 440411 | SEAL 17X40X7                   |
| 441122 | DRIVE SHAFT KEY 6X6X25 UNI 660 |
| 451121 | ELAST.ROLL PINS 6X30           |
| 510298 | DRIVE HOUSING S 3Ø             |
| 510299 | NICKELPLATED BRASS DRIVE CRANK |
| 620144 | DRIVE ASSEMBLY                 |
| 631701 | GREASE NIPPLE 9003             |



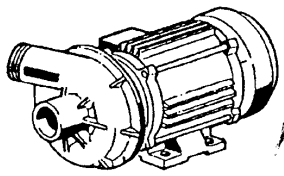
## 11 - Drive unit

| CODE   | DESCRIPTION                    |
|--------|--------------------------------|
| 100220 | DRIVE MOTOR KW0,12-220/380V/50 |
| 100246 | DRIVE KW 0,1-0,15 380/3        |
| 190145 | SUPPORT F.PAWL BAR GUIDE AC    |
| 190146 | CLAMPING PIECES AC             |
| 200803 | OR GASKET 3,53X98,02X105,08    |
| 250203 | GRUB SCREW 8X12                |
| 250204 | GRUB SCREW 6X6                 |
| 260505 | STAINL.STEEL FLAT WASHER D8    |
| 322196 | BRACKET                        |
| 322535 | PAWL BAR GUIDE AC              |
| 340288 | CHANNEL F.DRIVE BEARING S3Ø-SE |
| 342020 | PIN                            |
| 410227 | TURNED PINION Z16-1/2"-D.20    |
| 410232 | TURNED PINION Z25-1/2"-D.20    |
| 410244 | PINION Z34                     |
| 410310 | CROWN Z 26 1/2"                |
| 410312 | CROWN DISCS 22T                |
| 410407 | TORQUE LIMITER LC 1            |
| 410801 | DRIVE CHAIN 1/2" N-S           |
| 410902 | FALSE CHAIN LINK 1/2"          |
| 410903 | CHAIN JOINT 1/2"               |
| 441122 | DRIVE SHAFT KEY 6X6X25 UNI 660 |
| 451002 | COTTER PIN STAINL.ST. D2X12    |
| 510425 | PAWL LOAD. AC/ACR              |
| 620144 | DRIVE ASSEMBLY                 |



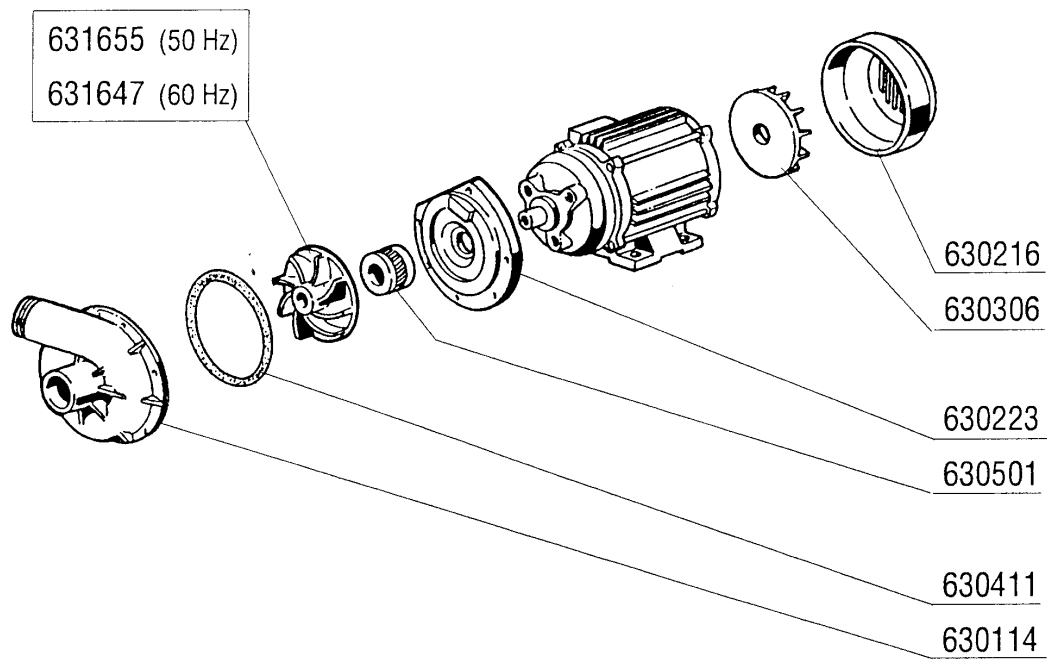
## 12 - Side Loading Table

| CODE   | DESCRIPTION                    |
|--------|--------------------------------|
| 160201 | ELBOW F.TANK INLET MOPLEN      |
| 160203 | ELBOW 1"1/2 N-S-F-C /DRAIN     |
| 160301 | DRAIN OUTLET 1"1/2 C-S-N       |
| 160753 | PLUG 40X40X1                   |
| 161128 | SPLASH HOOD DRAIN PROTECTION A |
| 180102 | DRAIN PIPE NUT 1"1/2 F45-55    |
| 180109 | LOCK NUT 1 1/2"                |
| 190145 | SUPPORT F.PAWL BAR GUIDE AC    |
| 190906 | CURTAIN IN/OUT 620X480         |
| 200127 | PVC HOSE D.35                  |
| 200410 | DRAIN OUTL.WASH.1 1/2"65X47X2  |
| 200412 | GASKET DRAIN 1 1/2" 45X33X3    |
| 260505 | STAINL.STEEL FLAT WASHER D8    |
| 320348 | BASE TOP FOR SPLASH HOOD       |
| 320512 | TABLES LEG                     |
| 322196 | BRACKET                        |
| 322464 | PAWL BAR GUIDE 700MM           |
| 322469 | PAWL BAR GUIDE 600MM AC        |
| 330581 | DRAWER FILTER EXTENTION HOODS  |
| 330898 | BUSH                           |
| 331489 | BRACKET                        |
| 340185 | HOOD                           |
| 340422 | SHAFT FOR CURTAIN AC-ACR       |
| 340462 | SHORT TRAY CARRIER PIN GM-S290 |
| 340546 | CORNER ENTRY TABLE 600MM LEFT  |
| 340547 | CORNER ENTRY TABLE 600MM RIGHT |
| 340569 | CORNER ENTRY TABLE 700MM RIGHT |
| 340570 | CORNER ENTRY TABLE 700MM LEFT  |
| 342020 | PIN                            |
| 440201 | RUBBER FOOT D.60X10            |
| 450106 | CLAMP FE ZN 32-44 H=12,2       |
| 451002 | COTTER PIN STAINL.ST. D2X12    |
| 510231 | PAWL /CORNER LOAD.             |
| 510425 | PAWL LOAD. AC/ACR              |



100674 (220/380 V 50 Hz)  
(240/415 V 50 Hz)

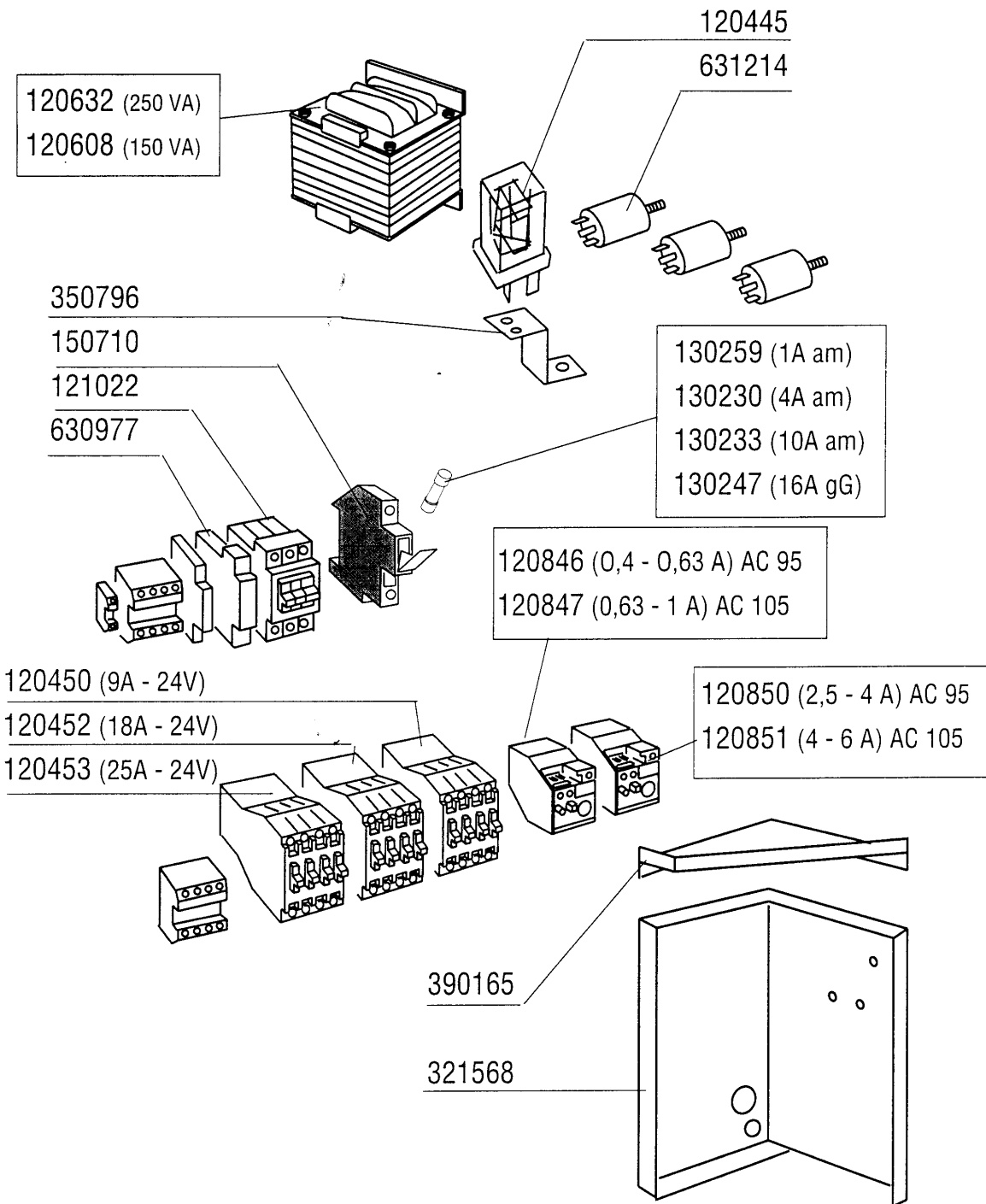
100690 (220/380 V 60 Hz)  
(240/415 V 60 Hz)



**13 - Pump 3HP**

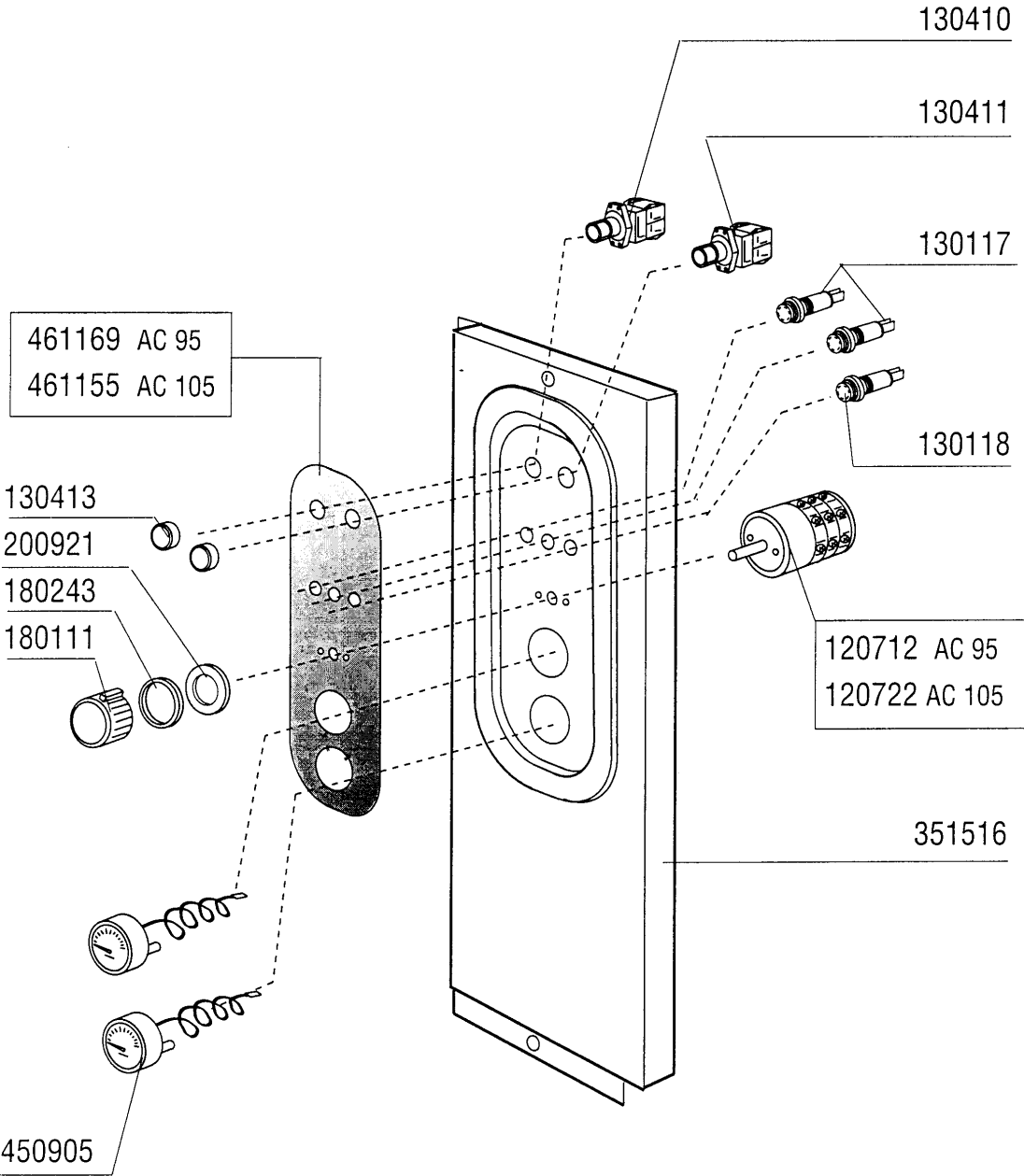
| <b>CODE</b> | <b>DESCRIPTION</b>            |
|-------------|-------------------------------|
| 100674      | PUMP HP 3 V.220-415-50HZ-1205 |
| 100690      | PUMP 2,7HP 220/380 60HZ 1205  |
| 630114      | VOLUTE FI HP2-2,7-3-3,2       |
| 630216      | FAN HOUSING FIR HP 2-3        |
| 630223      | BACK PLATE PUMP HP2-3-3,2     |
| 630306      | PUMP FAN IMPELLOR FI HP.2-3   |
| 630411      | O-RING PUMP FI HP 2-2,7       |
| 630501      | SEAL FOR PUMP HP 2-3-3,2      |
| 631647      | IMPELLER D.100-60HZ-1204/5    |
| 631655      | SEE 631620                    |





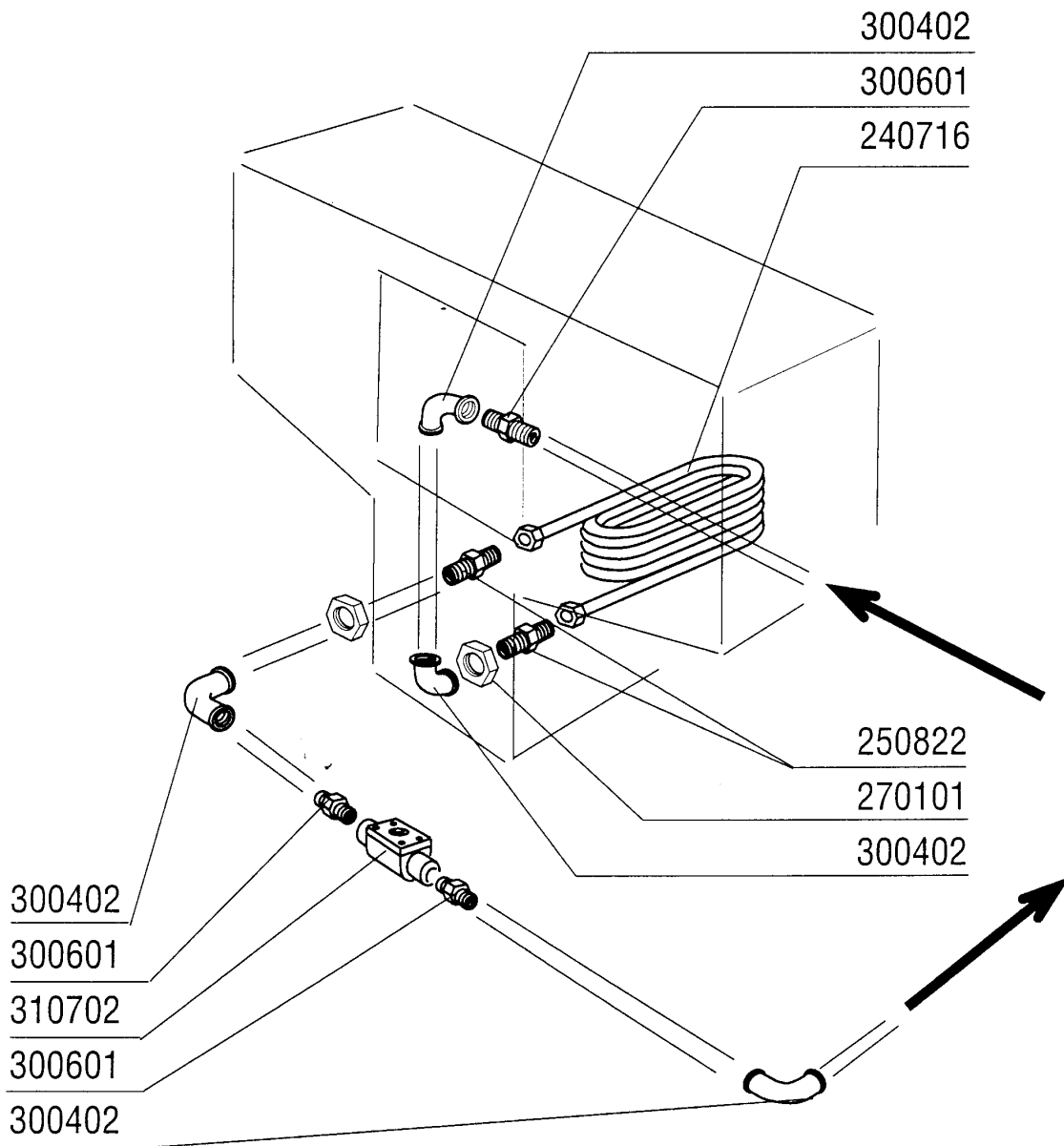
## 14 - Control Box

| CODE   | DESCRIPTION                    |
|--------|--------------------------------|
| 120445 | AUXILIARY RELAY S.B2/3 24V     |
| 120450 | CONTACTOR 9A 24V 4KW           |
| 120452 | CONTACTOR 18A 24V 7,5KW 3TF320 |
| 120453 | CONTACTOR 25A 24V 11KW 3TF3300 |
| 120608 | TRANSFORMER 150VA220-240-380-4 |
| 120632 | TRANSFORMER 250VA220-240-380-4 |
| 120846 | OVERLOAD RELAY 0,4/0,63A       |
| 120847 | OVERLOAD RELAY 0,63/1A         |
| 120850 | OVERLOAD RELAY 2,5/4A          |
| 120851 | OVERLOAD RELAY 4/6A            |
| 121022 | CIRCUIT BREAKER 32A            |
| 130230 | FUSE 10,3X38 4A AM13004        |
| 130233 | FUSE 10,3X38 10A AM13010       |
| 130247 | FUSE 10.3X38 16A GF13316       |
| 130259 | FUSE 10,3X38 1A AM 13095       |
| 150710 | FUSE CARRIER 10,3X38 ART.21401 |
| 321568 | SUPPORT WIRING AC95/105        |
| 350796 | BRACKET F. RELAY SUPPORT S     |
| 390165 | PANEL PROTECT.FOR CONTROL BOX  |
| 630977 | COIL FOR CIRCUIT BREAKER 24V   |
| 631214 | ANTI-NOISE FILTER 4011135007 3 |



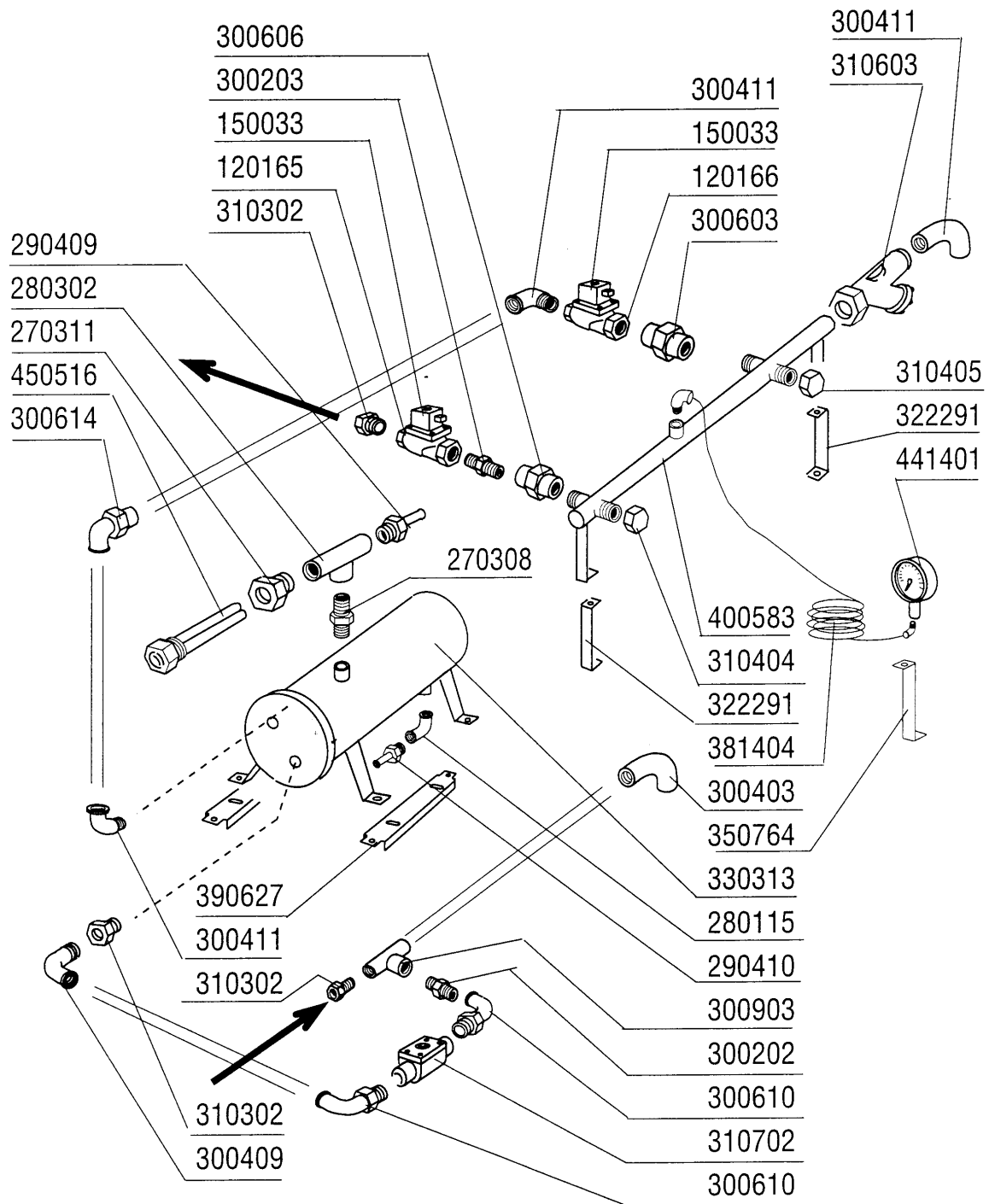
## 15 - Control panel AC95 - AC105

| CODE   | DESCRIPTION                 |
|--------|-----------------------------|
| 120712 | 2-POLES SWITCH 16AMP        |
| 120722 | 6 POLE SWITVH 2 POSITIONS   |
| 130117 | GREEN LIGHT 24V S90-G66     |
| 130118 | RED LIGHT 24V S90 - G66     |
| 130410 | STOP CONTACT F40 CN RED     |
| 130411 | START CONTACT YELLOW        |
| 130413 | GREEN PUSH BUTTON           |
| 180111 | BLACK KNOB                  |
| 180243 | FLANGE                      |
| 200921 | GASKET                      |
| 351516 | CONTROL PANEL AC95          |
| 450905 | CAPIL.THERMOMETER D.52 1,5M |
| 461155 | CONTROL PANEL AC105         |
| 461169 | CONTROL PANEL AC95          |



16 - Steam Version

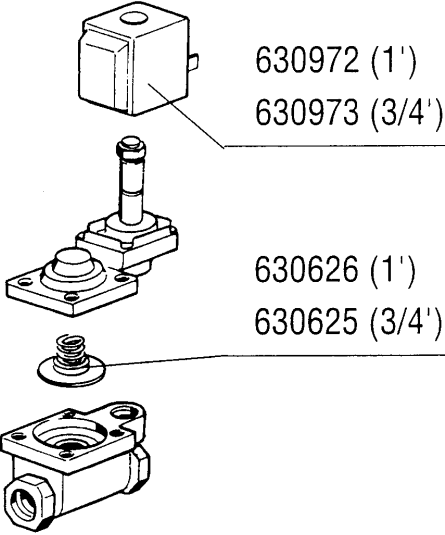
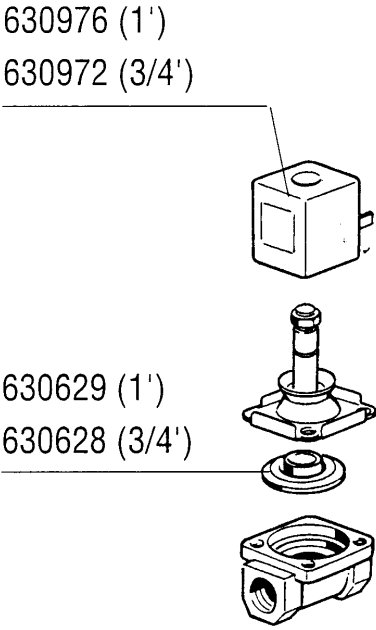
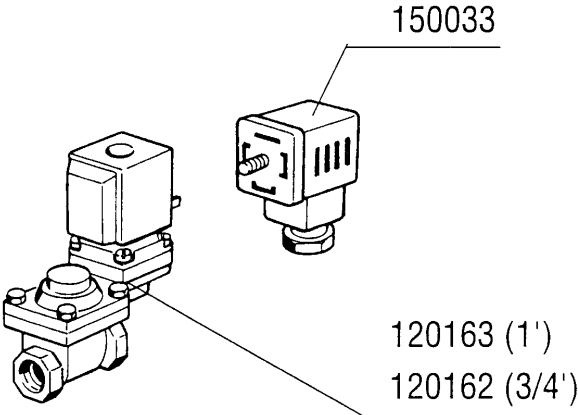
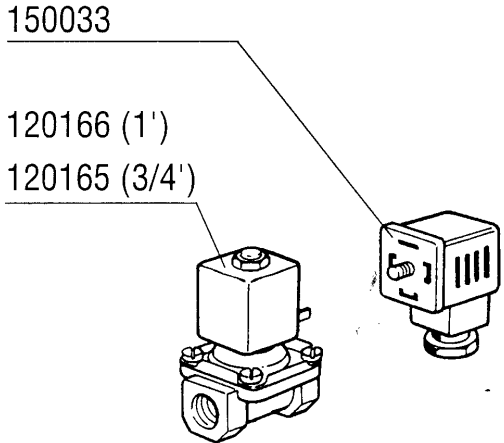
| CODE   | DESCRIPTION             |
|--------|-------------------------|
| 240716 | STEAM COIL G66-S3       |
| 250822 | EXTENSION 1/2"          |
| 270101 | HEXAGON LOCK NUT 1/2"   |
| 300402 | ELL FF 1/2"             |
| 300601 | PIPE UNION 1/2"         |
| 310702 | STEAM TRAP 1/2" MK 25/3 |



17 - Steam Version

| CODE   | DESCRIPTION                    |
|--------|--------------------------------|
| 120165 | SOLE.N.VALVE ST.24V50HZ 3/4"   |
| 120166 | STEAM SOLEN.VALVE 1" 24V-50    |
| 150033 | CONNEC.F.SOLEN.VALVE 182.09.N  |
| 270308 | NIPPLES 3/4"                   |
| 270311 | NIPPLE 3/4"-1/2"               |
| 280115 | ELL 1/2"                       |
| 280302 | HOSE CLAMPS STRAIGHT 3/4"      |
| 290409 | NIPPLE 3/4"                    |
| 290410 | NIPPLE 1/2"                    |
| 300202 | NIPPLE 3/4"-1/2"               |
| 300203 | NIPPLE 3/4"-1"                 |
| 300403 | ELL FF 3/4"                    |
| 300409 | ELL MF 1/2"                    |
| 300411 | ELL 1"                         |
| 300603 | PIPE UNION MF 1"               |
| 300606 | PIPE UNION FF1"                |
| 300610 | PIPE UNION 1/2"                |
| 300614 | ELL F.F. 1                     |
| 300903 | TEE 3/4"                       |
| 310302 | NIPPLE 3/4"-1/2"               |
| 310404 | COVER                          |
| 310405 | COVER                          |
| 310603 | STRAINERS JU 1" MOD.45         |
| 310702 | STEAM TRAP 1/2" MK 25/3        |
| 322291 | SUPPORT                        |
| 330313 | STEAM BOILER 18000KCAL/H       |
| 350764 | BRACKET                        |
| 381404 | HOSE STEAM GAUGE               |
| 390627 | PUMP SUPPORT                   |
| 400583 | MANIFOLD                       |
| 441401 | PRESSURE GAUGE 60 SCALO-4CR1/4 |
| 450516 | THERMOSTAT SHIELD FOR 2 TERMOS |



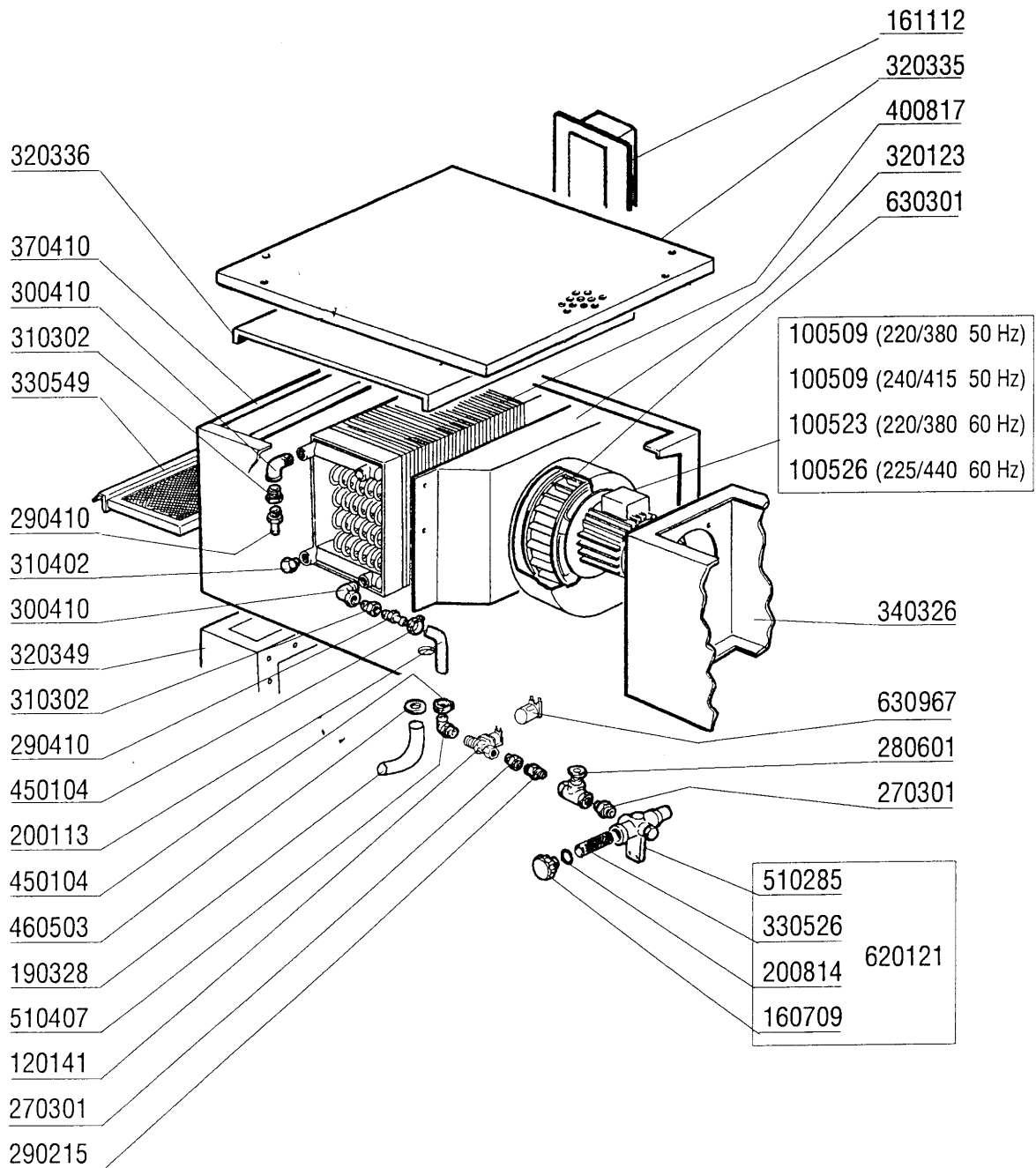


0 ÷ 2 bar

0,5 ÷ 2,5 bar

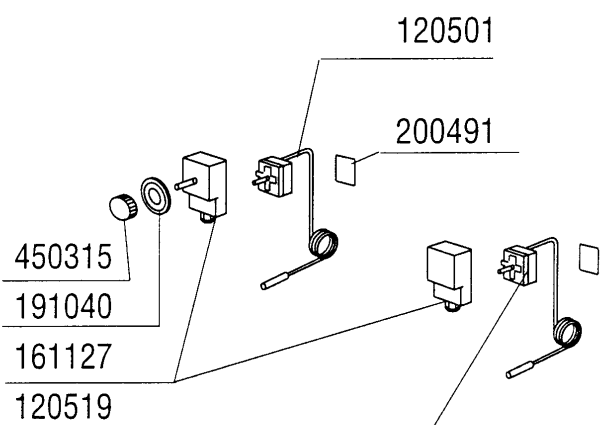
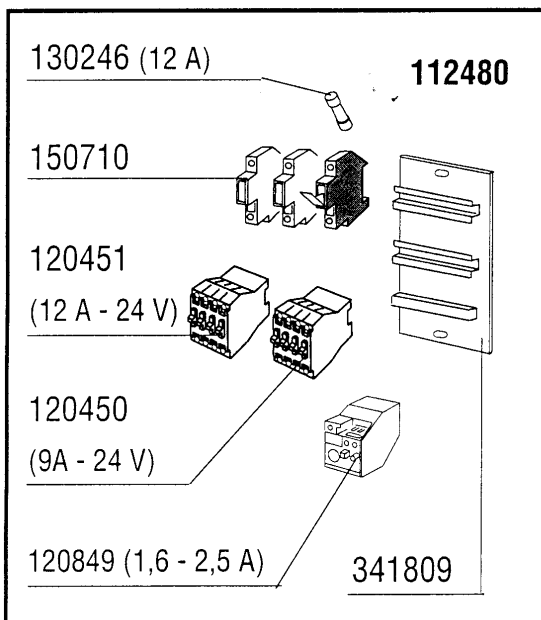
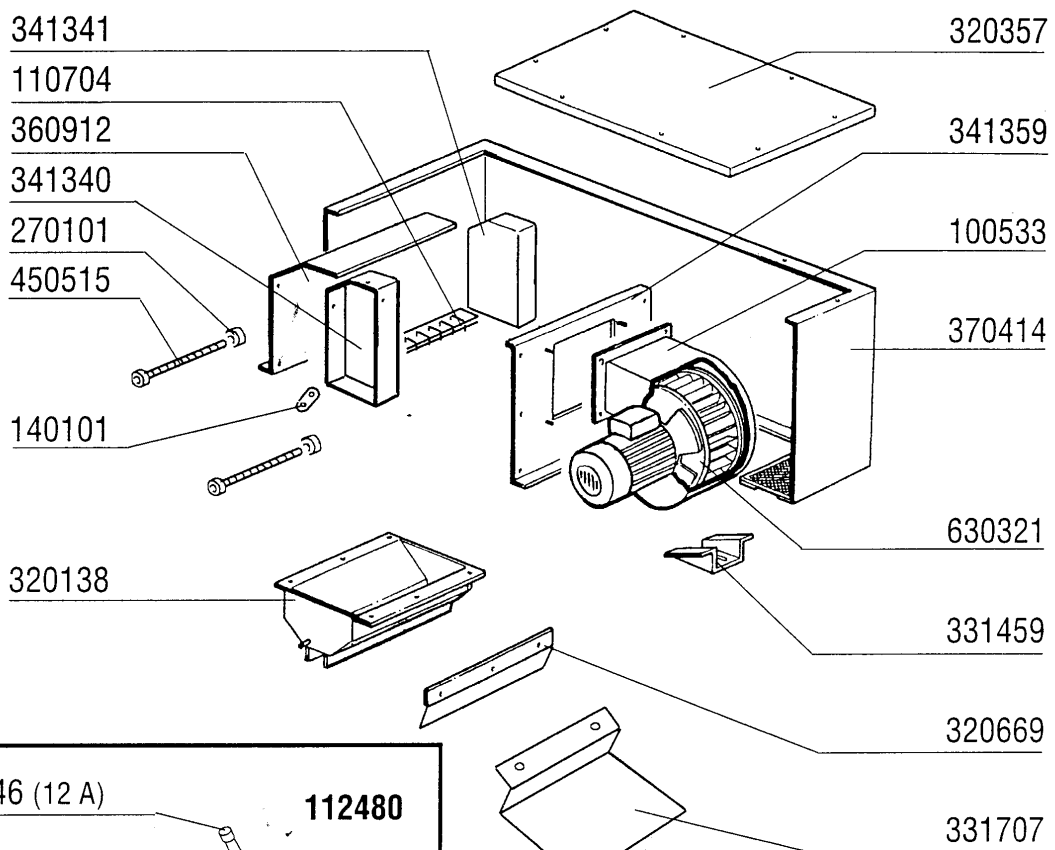
**18 - Steam solenoid valve**

| <b>CODE</b> | <b>DESCRIPTION</b>             |
|-------------|--------------------------------|
| 120162      | SOLENOID VALVE L145R1Z734A 3/4 |
| 120163      | SOLEN.VAL.ST.L145R1Z234A 1"24V |
| 120165      | SOLEN.VALVE ST.24V50HZ 3/4"    |
| 120166      | STEAM SOLEN.VALVE 1" 24V-50    |
| 150033      | CONNEC.F.SOLEN.VALVE 182.09.N  |
| 630625      | KIT F.SOLEN.VALVE              |
| 630626      | KIT FOR SOLENOID VALVE 145 1"  |
| 630628      | KIT F.SOLEN.V.L153D1 3/4"      |
| 630629      | KIT SOLENOID VALVE 1" STEAM L1 |
| 630972      | COIL Z534A/V.24-L145A-3/4      |
| 630973      | COIL Z614A/V.24-L145-3/4 A     |
| 630976      | COIL Z114A/V24/50HZ L153-1"    |



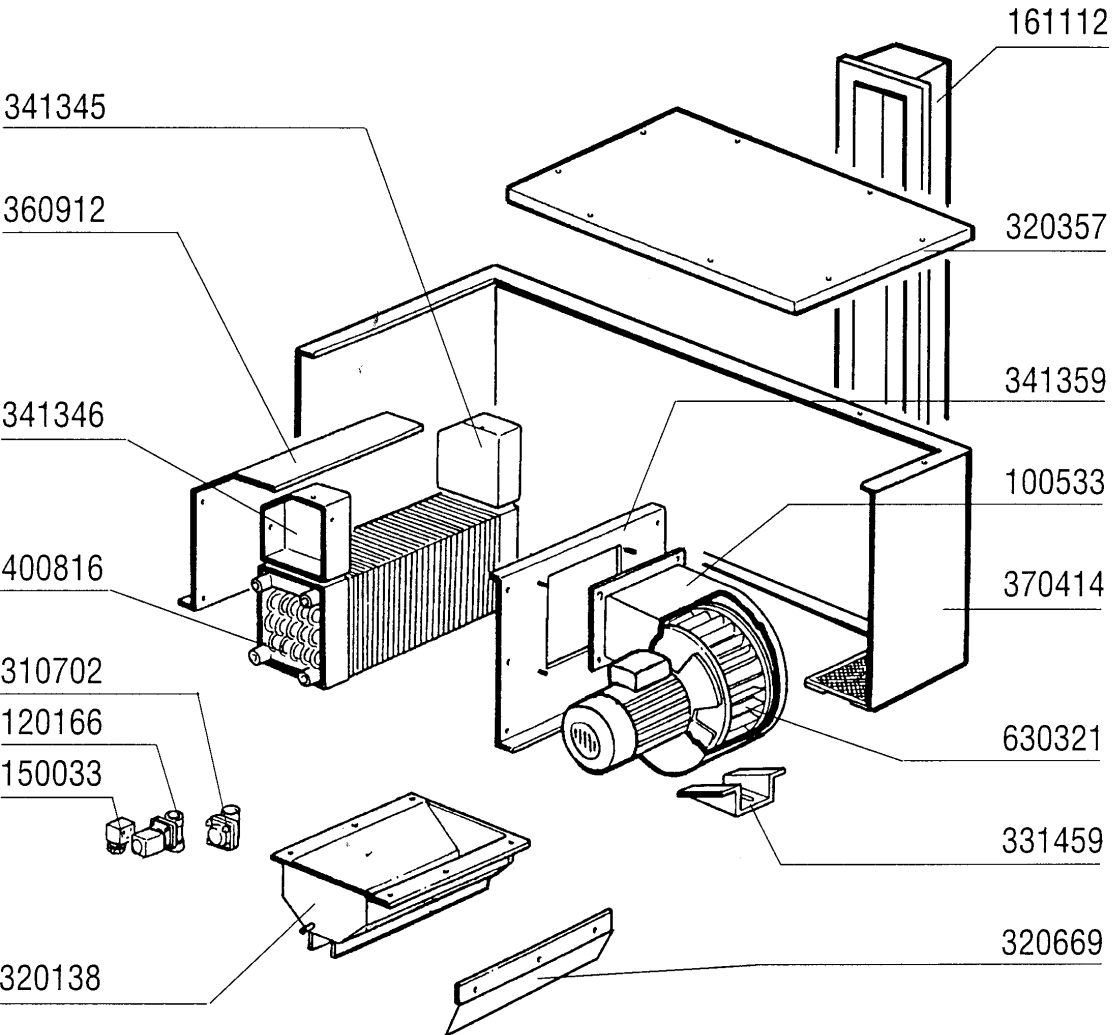
## 19 - Steam Condenser

| CODE   | DESCRIPTION                    |
|--------|--------------------------------|
| 100509 | FAN 0,75HP 220/415 V164/2      |
| 100523 | FAN 0,75 HP 220/380V-60HZ      |
| 100526 | FAN HP 0,75 255/440-60-VR184   |
| 120141 | SOLEN.VALVE METAL.328000 D.1/2 |
| 160709 | KNOB OF MANIFOLD F. SOLEN. VAL |
| 161112 | BACK COVER CHANNEL 300 S N     |
| 190328 | DRAIN 3/4"                     |
| 200113 | RUBBER HOSE 12 X 22            |
| 200814 | O-RING 34,52X41,58X3,53        |
| 270301 | BRASS NIPPLES 1/2"             |
| 280601 | GATE VALVE 1/2" BRASS          |
| 290215 | 1/2"BSP M/F UNION BRASS        |
| 290410 | NIPPLE 1/2"                    |
| 300410 | ELL 3/4" MF                    |
| 310302 | NIPPLE 3/4"-1/2"               |
| 310402 | PLUG 3/4"                      |
| 320123 | VORTEX BREAKER F.STEAM CONDENS |
| 320335 | TOP PANEL FOR STEAM CONDENSER  |
| 320336 | TOP PANEL FOR STEAM CONDENSER  |
| 320349 | TOP FOR SPLASH HOOD WITH STEAM |
| 330526 | FILTERS 22X28 SOLENOID V.MANIF |
| 330549 | CONDENSATE UNIT FILTER         |
| 340326 | PANEL                          |
| 370410 | CONDENSER MODULE               |
| 400817 | BATTERY FOR STEAM CONDENSER +  |
| 450104 | CLAMP FE ZN H=12,5 15-24       |
| 460503 | SEALING WASHER 38X27X2(3/4)    |
| 510285 | SOLENOID VALVE MANIFOLD - BRAS |
| 510407 | NIPPLE FOR BOILER N S          |
| 620121 | TWIN SOLENOID VALVE MANIFOLD   |
| 630301 | FAN IMPELLOR FOR 100509        |
| 630967 | COIL V24/50HZ E/V 328002       |



**20 - Blower Dryer**

| <b>CODE</b> | <b>DESCRIPTION</b>             |
|-------------|--------------------------------|
| 100533      | FAN HP 1 220-240-380-415V VRP2 |
| 110704      | HEAT.ELEMENT/DRYING 1000W 220V |
| 112480      | WIRING DRYER "AC91/101/95/105" |
| 120450      | CONTACTOR 9A 24V 4KW           |
| 120451      | CONTACTOR 12A 24V 5,5KW        |
| 120501      | THERMOSTAT 30/90°C             |
| 120519      | SECURITY THERMOSTAT 95-125°C   |
| 120849      | OVERLOAD RELAY 1,6/2,5A        |
| 130246      | FUSE 10.3X38 12A GF13312       |
| 140101      | BRASS CONNECT. PLATE HEAT.ELEM |
| 150710      | FUSE CARRIER 10,3X38 ART.21401 |
| 161127      | BOX FOR THERMOSTAT             |
| 191040      | FRAME F.THERMOSTAT KNOB        |
| 200491      | BACK GASKET OF THERMOSTAT BOX  |
| 270101      | HEXAGON LOCK NUT 1/2"          |
| 320138      | DEFLECTOR F. DRYER             |
| 320357      | DRYER COVER                    |
| 320669      | FIXING PLATE                   |
| 331459      | BRACKET FOR DRYING VENTILATOR  |
| 331707      | BRACKET                        |
| 341340      | LEFT SUPPORT                   |
| 341341      | RIGHT SUPPORT                  |
| 341359      | FAN SUPPORT                    |
| 341809      | DRYER SUPPORT AC               |
| 360912      | BACK PANEL                     |
| 370414      | DRYING MODULE                  |
| 450315      | KNOB F. THERMOSTAT 90°C        |
| 450515      | STAINL.ST.SHIELD FOR 1 THERMOS |
| 630321      | FAN IMPELLOR FOR C 100533 1HP  |



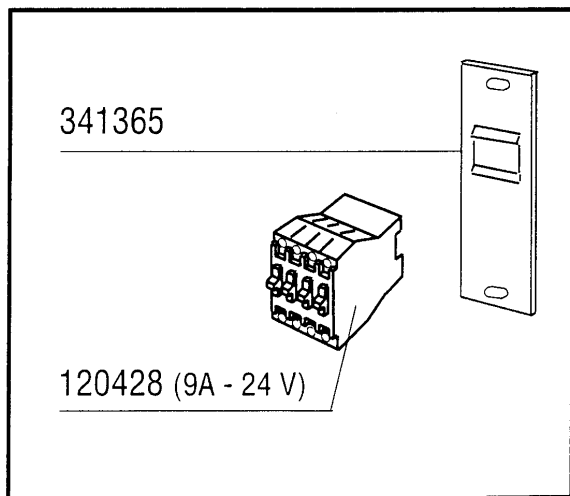
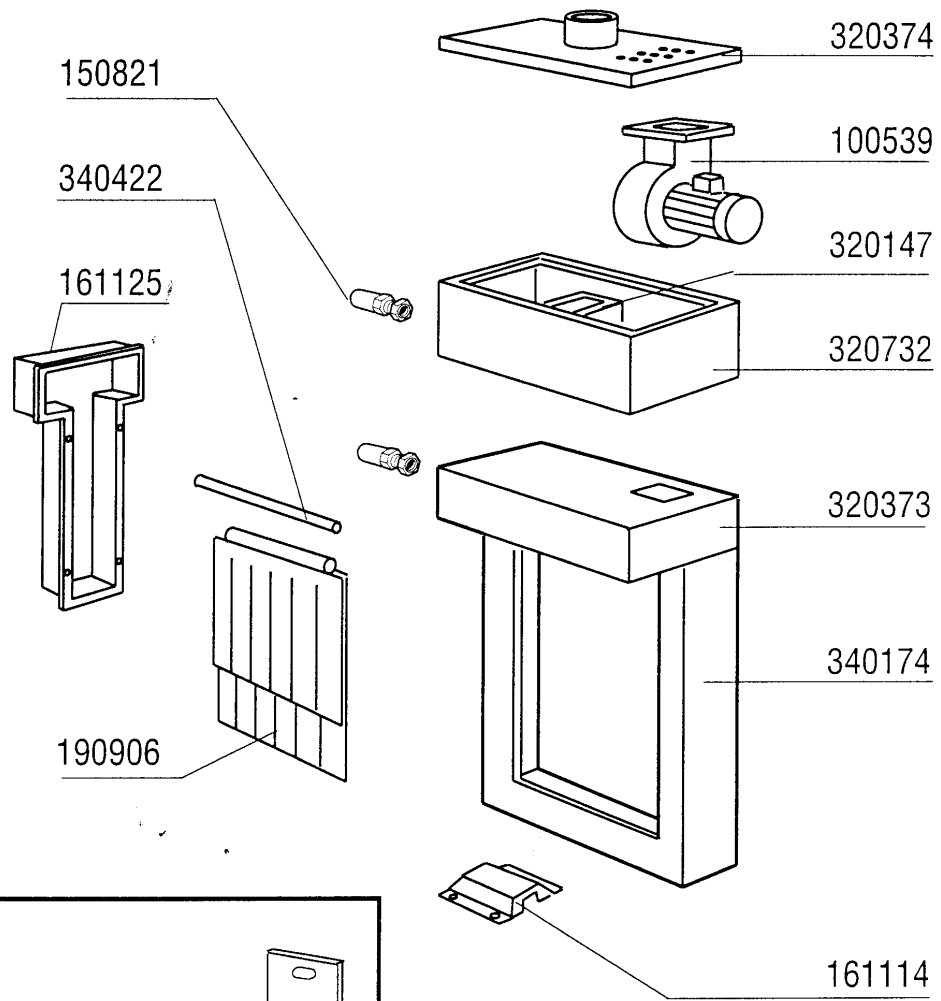
|                      |  |        |
|----------------------|--|--------|
| 120428 (9A - 24 V)   |  | 341810 |
| 120849 (1,6 - 2,5 A) |  |        |

## 21 - Steam Blower Dryer

| CODE   | DESCRIPTION                    |
|--------|--------------------------------|
| 100533 | FAN HP 1 220-240-380-415V VRP2 |
| 120166 | STEAM SOLEN.VALVE 1" 24V-50    |
| 120428 | CONTACTOR 9A 24V 50HZ          |
| 120849 | OVERLOAD RELAY 1,6/2,5A        |
| 150033 | CONNEC.F.SOLEN.VALVE 182.09.N  |
| 161112 | BACK COVER CHANNEL 300 S N     |
| 280602 | GATE VALVE 3/4" BRASS          |
| 310702 | STEAM TRAP 1/2" MK 25/3        |
| 320138 | DEFLECTOR F. DRYER             |
| 320357 | DRYER COVER                    |
| 320669 | FIXING PLATE                   |
| 331459 | BRACKET FOR DRYING VENTILATOR  |
| 341345 | RIGHT PANEL                    |
| 341346 | LEFT PANEL                     |
| 341359 | FAN SUPPORT                    |
| 341810 | STEAM CONDENSER SUPPORT FOR AC |
| 360912 | BACK PANEL                     |
| 370414 | DRYING MODULE                  |
| 400816 | BATTERY FOR DRYING (6KW) S     |
| 630321 | FAN IMPELLOR FOR C 100533 1HP  |



22 - Splash guard with ventilator



## 22 - Splash guard with ventilator

| <b>CODE</b> | <b>DESCRIPTION</b>             |
|-------------|--------------------------------|
| 100539      | EXHAUST FAN F.SPLASH GUARD 220 |
| 111359      | FAN WIRING                     |
| 120428      | CONTACTOR 9A 24V 50HZ          |
| 150821      | CONNECTOR                      |
| 161114      | END COVER OF PAWL BAR S3-S2900 |
| 161125      | BACK COVER CHANNEL S NL        |
| 190906      | CURTAIN IN/OUT 620X480         |
| 320147      | VORTEX BREAKER                 |
| 320373      | TOP CAPOT SE                   |
| 320374      | TOP CAPOT SE                   |
| 320732      | PANEL                          |
| 340174      | HOOD                           |
| 340422      | SHAFT FOR CURTAIN AC-ACR       |
| 341365      | PANEL SUPPORT F.STEAM CONDENSE |